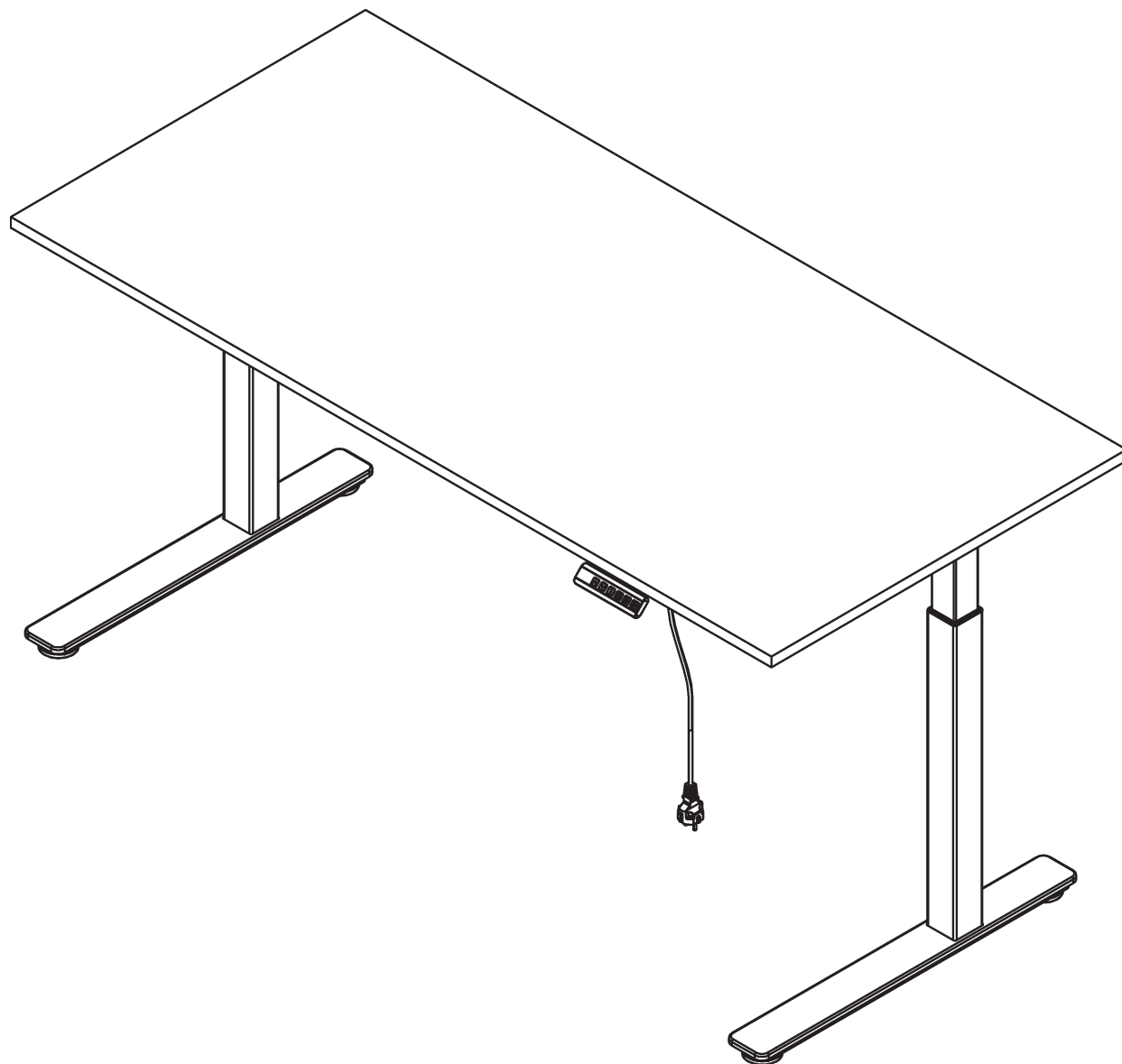
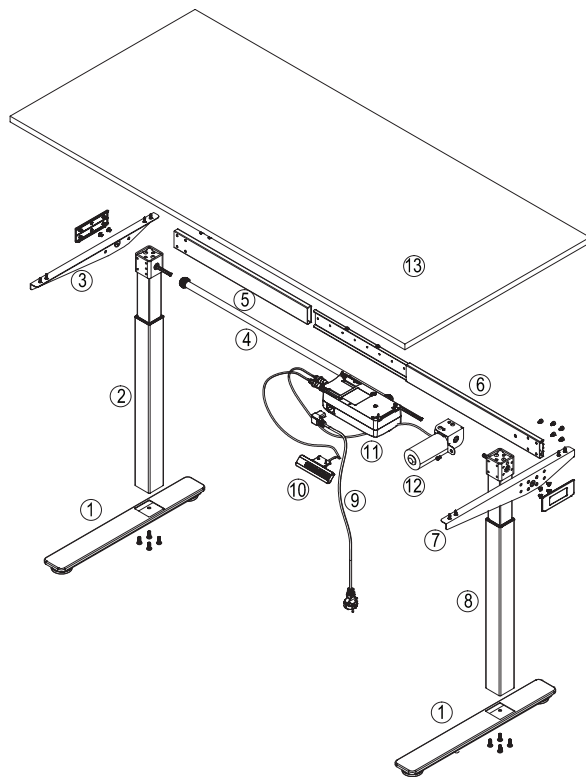


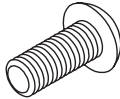
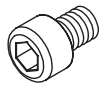
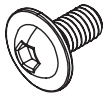



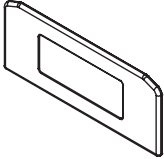


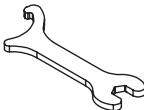

OTGHABASE2



EXPLODED VIEW

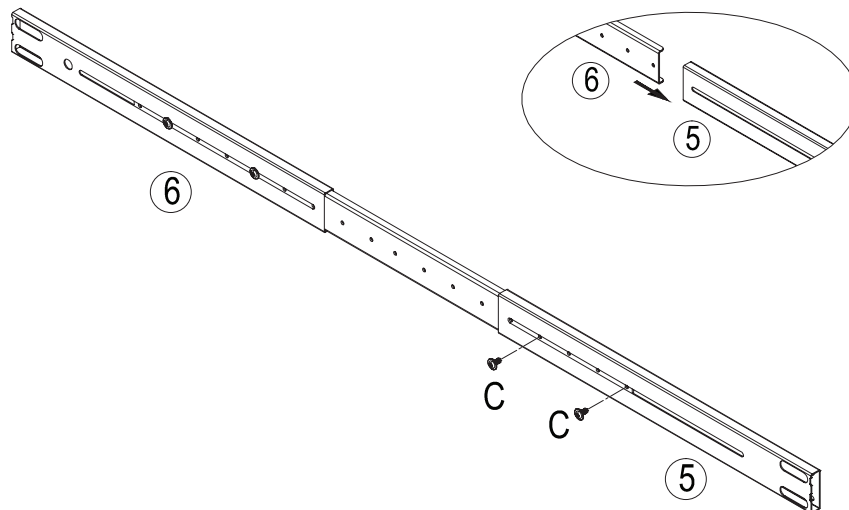


HARDWARE LIST

					
A x 8+2 (M8x20)	B x 10+2 (M6x8)	C x 2+2 (M6x12)	D x 8+2 (M6x10)	E x 8+2 (ST4.8x20)	F x 6+2 (ST3x19) <small>(packed with handset and power supply)</small>
					
G x 2	H x 1 (4mm)	I x 1 (5mm)	J x 1	K x 2+2	

STEP 1 - Assemble Cross Rail

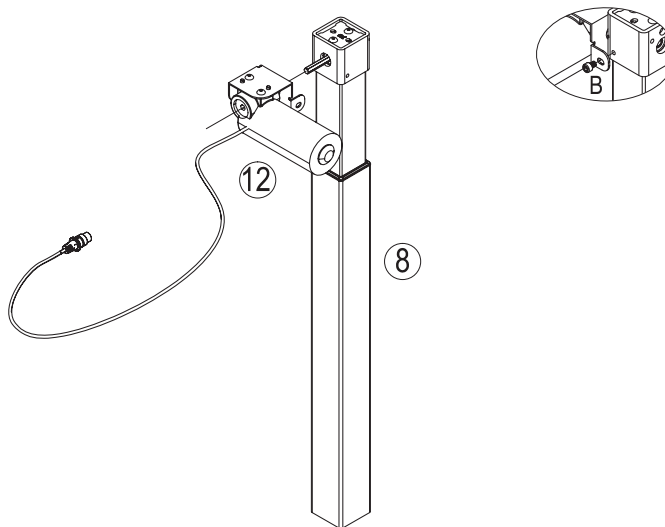
- Do not tighten these screws until after Step 4.
- Leave screws loose enough to easily slide brackets along slot.



H x1	C x2

STEP 2 - Affix Motor

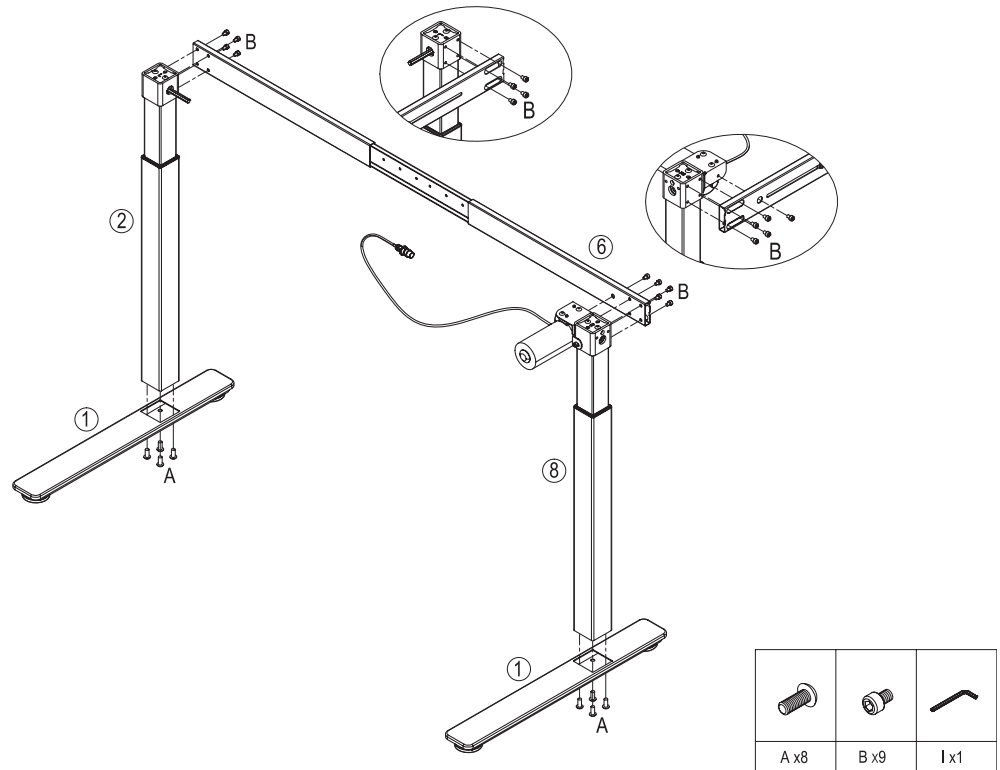
- Affix motor unit to right leg (item 8).



B x1	I x1

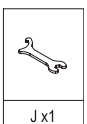
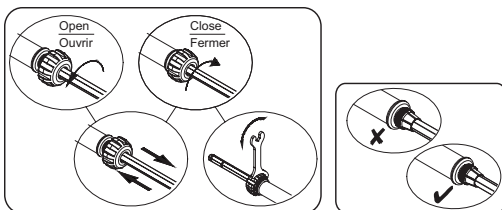
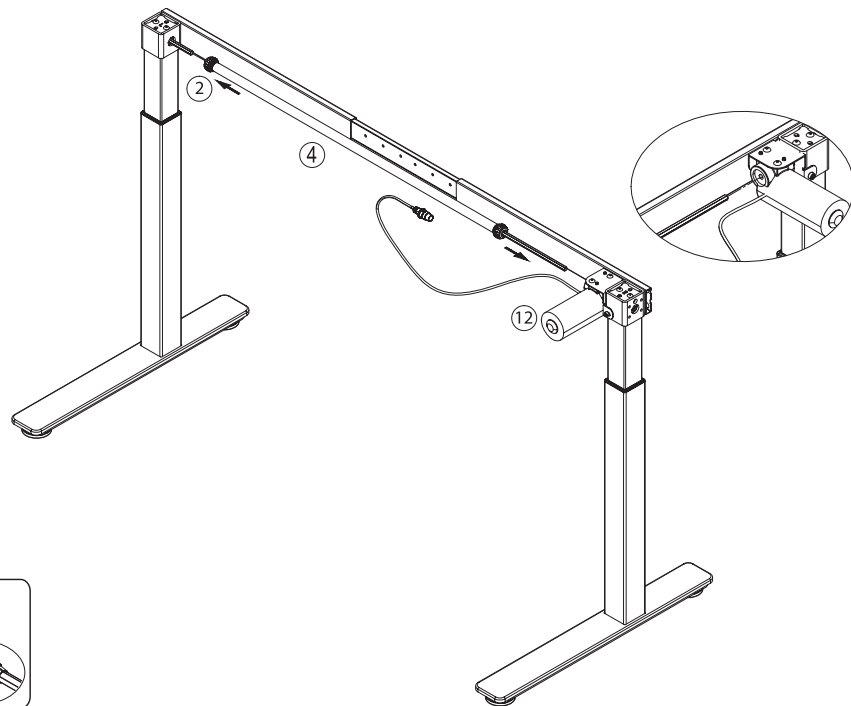
STEP 3 - Assemble legs and crossrail

- Connect cross rails to legs, leave screws from Step 1 loose.



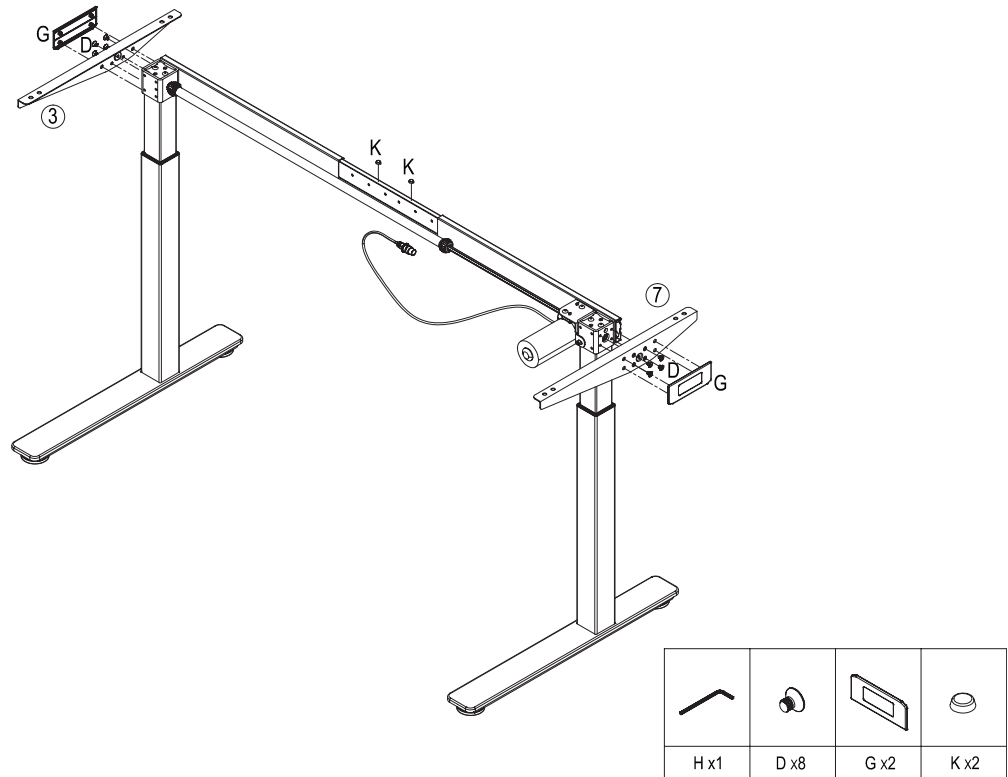
STEP 4 - Connect Hex Rods

- Insert hex rod into motor (Item 12) and slide tube over the hex rod in left leg (Item 2).
- Slide mechanism to desired size.
- **NOTE:** Table top should overhang base on the left and right side by a minimum of 1" and a maximum of 2.25".
- Tighten knobs on the tube (Item 4).



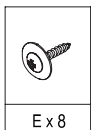
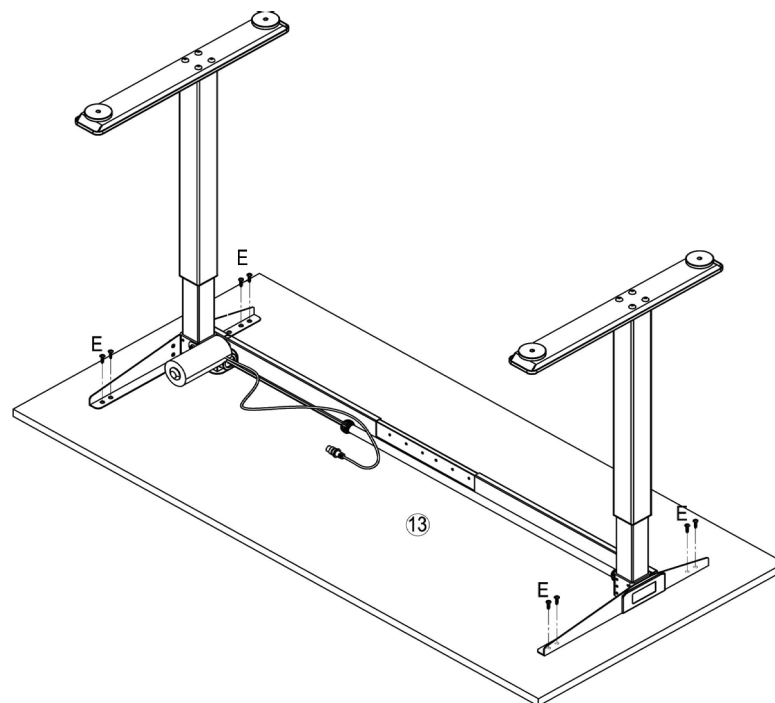
STEP 5 - Assemble end brackets and insert spacers

- Plastic spacers (Item K) should be placed evenly on the center portion of the crossrail.
- Tighten all screws securely.



STEP 6 - Assemble Table Top

- Center frame (on all sides) on the bottom of the table top. Use screws (Item E) to assemble base frame to the bottom of the table top.
- Tighten screws securely.
- NOTE: Table top should overhang base on the left and right side by a minimum of 1" and a maximum of 2.25".



STEP 7 - Assemble Power Supply and Handset

- Tighten screws securely.

