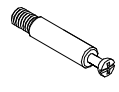



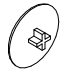
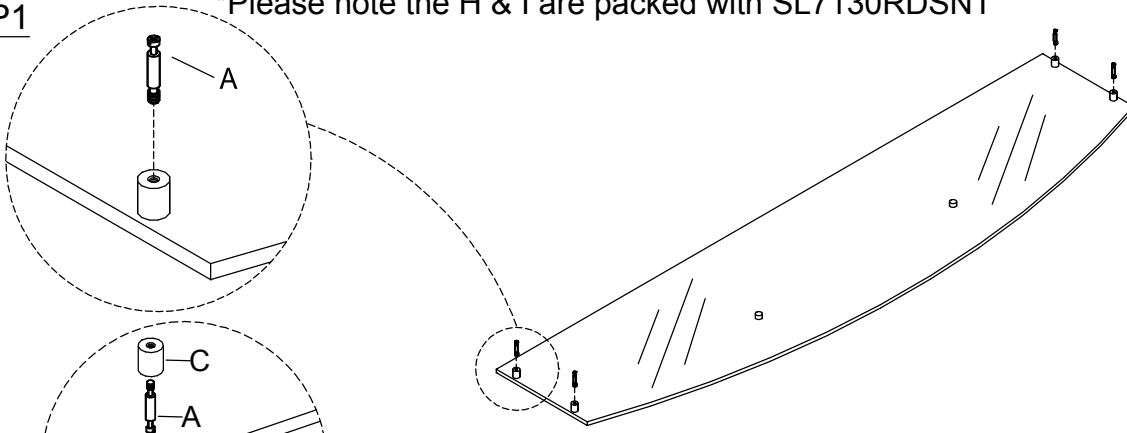


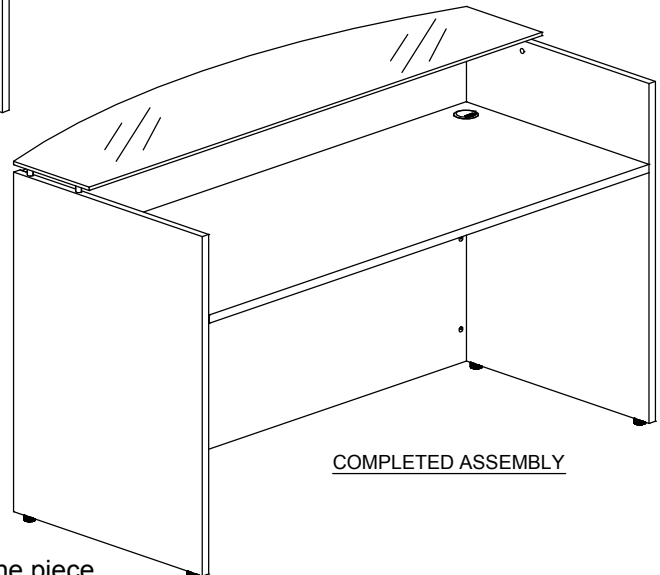
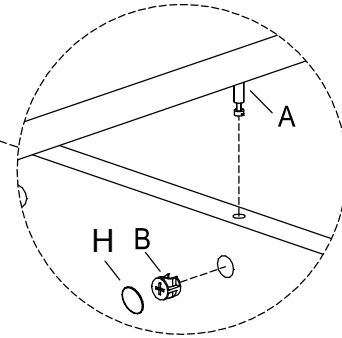
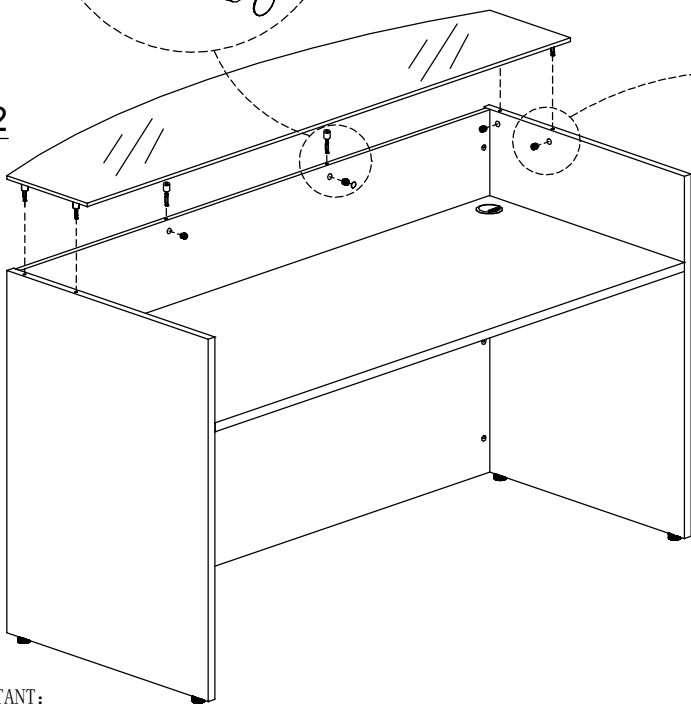
<p>A</p>  <p>Cam Lock Pin 6+2Pcs</p>	<p>B</p>  <p>Cam Lock 6+2Pcs</p>	<p>C</p>  <p>Riser Pin 2Pcs</p>	<p>H</p>  <p>Deep Camlock cap 4+2Pcs</p>	<p>I</p>  <p>Camlock cap 2+2Pcs</p>
--	--	---	--	---

*Please note the H & I are packed with SL7130RDSNT

STEP1



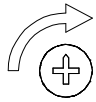
STEP2



COMPLETED ASSEMBLY

IMPORTANT:

FUNCTION OF CAM



1/4 RIGHT
TURN FOR
LOCKING

MAKE SURE THE ARROW IS POINTING UPWARDS
BEFORE INSERTING INTO THE PANEL'S HOLE.

IMPORTANT NOTE:

- It is advisable to assemble units on a carpet to avoid scratching the piece.
- Check to be sure you have all the parts and hardware.
- Don't tighten all screws/bolts until the item is completely assembled. Hand tighten only. Do not use power tools.
- Assembly requires two people.