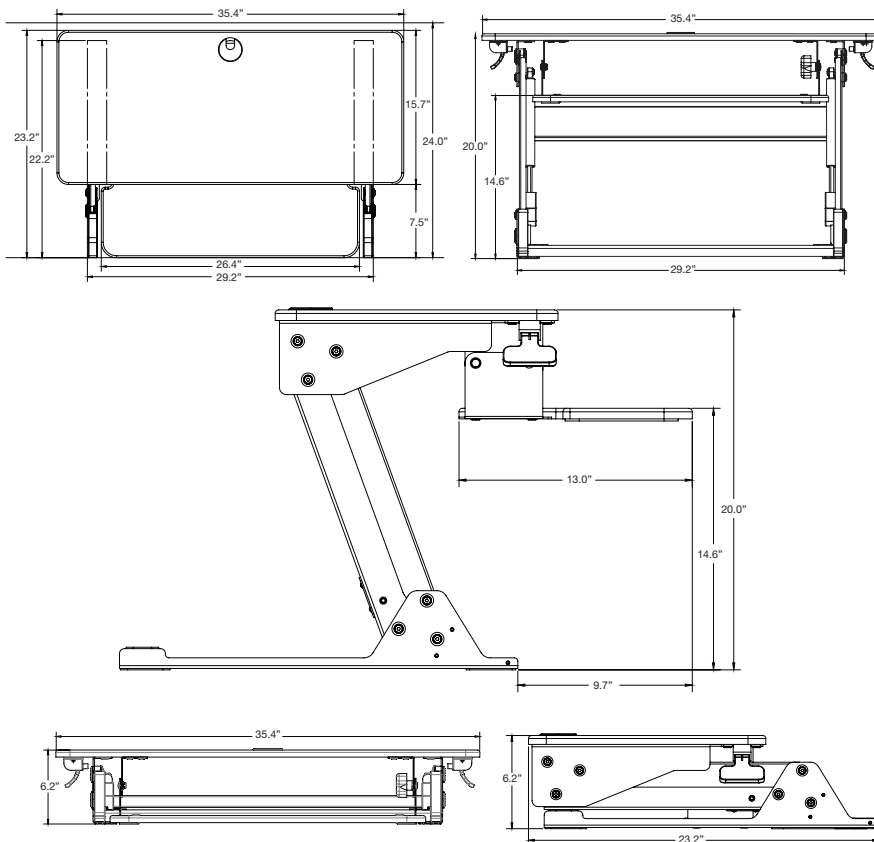




The desktop sit-stand workstation from Offices to Go, effortlessly and economically converts a fixed height worksurface into a sit-stand workstation.



## Features

- **Ships fully assembled**  
*No tools are required making it easy to retrofit existing office spaces.*
- **Compact footprint**  
*Easily fits onto a 24" deep desk with extra room for personal adjustment.*
- **Gas assisted height adjustment**  
*Provides smooth, quiet and infinite height adjustment. Users can quickly and easily set their preferred ergonomic position and change positions.*
- **Primary worksurface can be extended 20" above the desk**  
*Height adjustment range accommodates a variety of users.*
- **Large useable primary worksurface**  
*The large primary worksurface accommodates 2 x 24" monitors and corresponding monitor arms, an Apple iMac or laptop with monitor.*
- **20° of keyboard surface tilt**  
*Allows the user to infinitely adjust the keyboard surface tilt from -10°/+10° in the sitting or standing position.*
- **Keyboard surface adjusts with the primary worksurface**  
*Two levels maintain the relationship of keyboard to monitor whether sitting or standing.*
- **Primary worksurface grommet**  
*Allows for cable management and attachment of a monitor arm to improve ergonomic functionality.*
- **Supports 35 lbs. of technology**  
*Strong enough to support users technology requirements.*
- **Weights 40 lbs.**  
*Light enough for simple installation and moving from desk-to-desk.*