

NL36PHLD

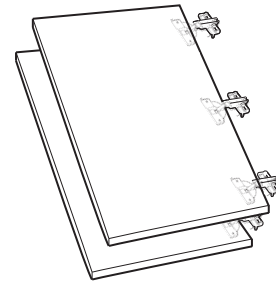
Assembly Instructions

Thank you for purchasing this product from Global. Before you begin assembly, check that you have all the parts and hardware shown on this page.

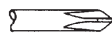
If there is any item missing, circle the item, indicating quantity required and return to us by fax or mail:

CANADA
Global Upholstery
560 Supertest Road
Downsview, Ont.
M3J 2M6
TEL. (416)661-3660
FAX. (416)661-4300
Attn.: Customer Service

US
Global Industries Inc.
17 West Stow Road
P.O. 524
Marlton, NJ 08053
TEL. (856)596-3390
FAX. (856)596-5684
Attn.: Customer Service



TOOLS REQUIRED



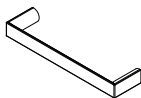
PHILLIPS
Screwdriver size #2

Notice to installers:
Open and assemble only one product at a time to avoid a potential mix up of parts and hardware.

It is advisable to assemble unit on a carpet to avoid scratches.

NAIN 20 rev: 00

Newland
handle



X 2

FST105

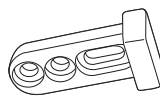
Pull Screw, 8-32 x 7/8"
P.H. Quad. Zinc



X 4

CST399

Door Stopper



X 1

FST028

Screw, #8 x 3/4"
P.H. Quad.



X 3

ADH026

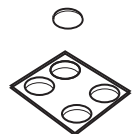
Fast Cap



X 2

GEN145

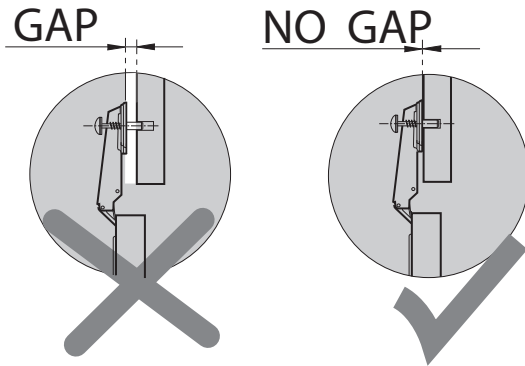
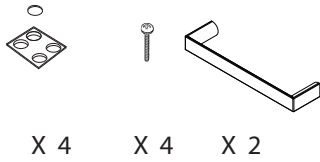
BUMPER, SELF ADHESIVE MOLDED
3/8 DIA , 2mm THICK,
CLEAR SELF ADHESIVE



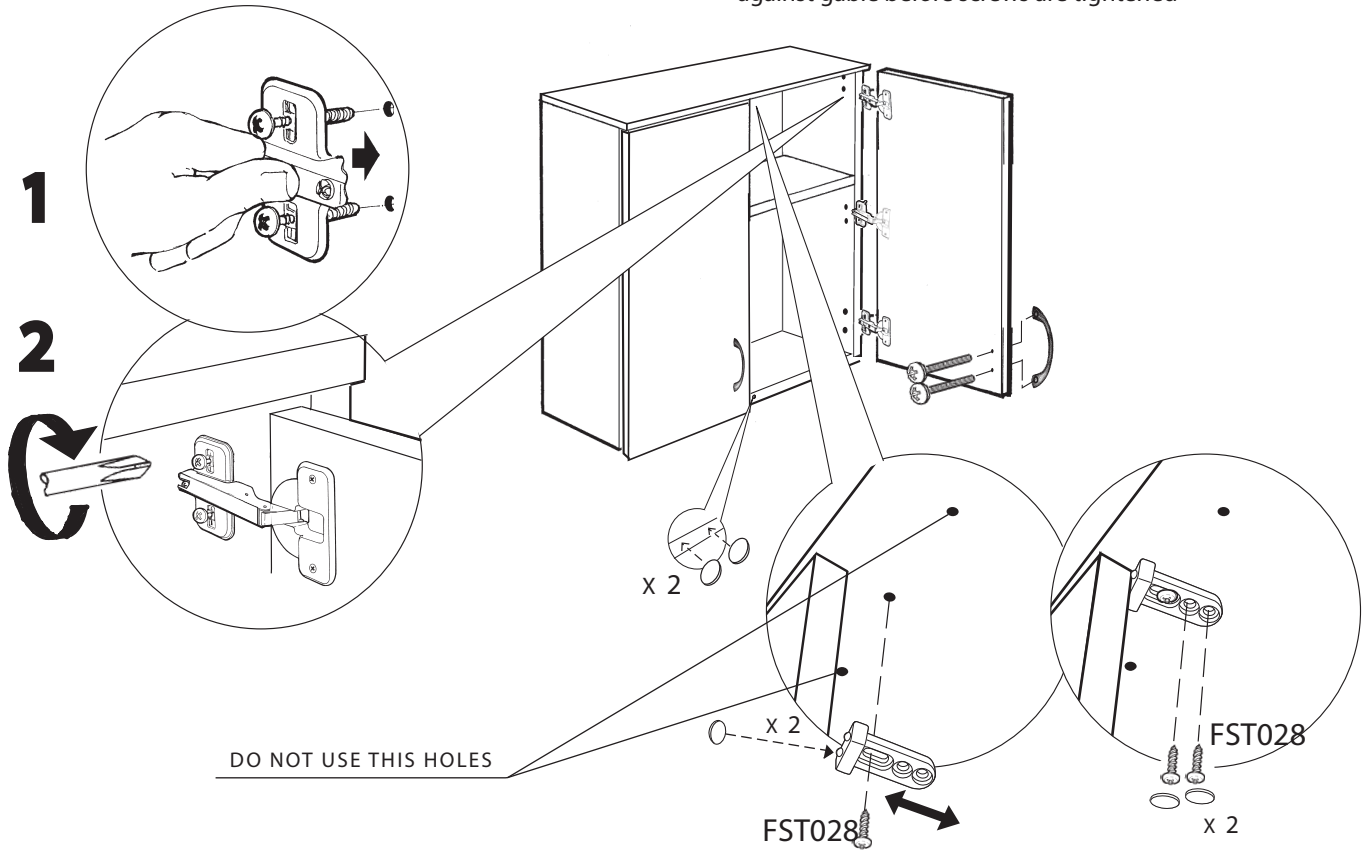
X 4

Step

1



Mounting plate must be pushed tight against gable before screws are tightened



TO LEVEL DOOR:

