

# Assembly Instructions

Thank you for purchasing this product from Global. Before you begin assembly, check that you have all the parts and hardware shown on this page.

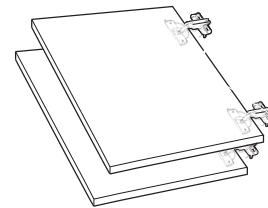
If there is any item missing, circle the item, indicating quantity required and return to us by fax or mail:

**CANADA**

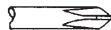
Global Upholstery  
560 Supertest Road  
Downsview, Ont.  
M3J 2M6  
TEL. (416)661-3660  
FAX. (416)661-1384  
Attn.: Customer Service

**U. S.**

Global Industries Inc.  
17 West Stow ROAD  
P.O. Box 562  
Marlton, NJ 08053  
TEL. (856)596-3390  
FAX. (856)596-5684  
Attn.: Customer Service



**TOOLS REQUIRED**

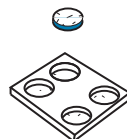


**PHILLIPS**  
Screwdriver size #2

It is advisable to assemble unit on a carpet to avoid scratches.

**Notice to installers:**  
Open and assemble only one product at a time to avoid a potential mix up of parts and hardware.

**GEN003**  
Bumper pad



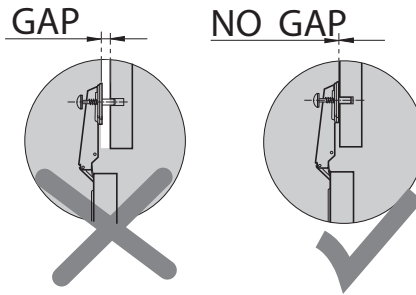
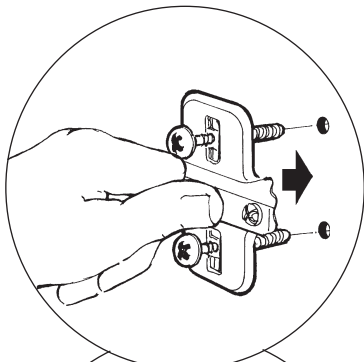
X 8

**NAIN 21 rev: 00**

# Step 1

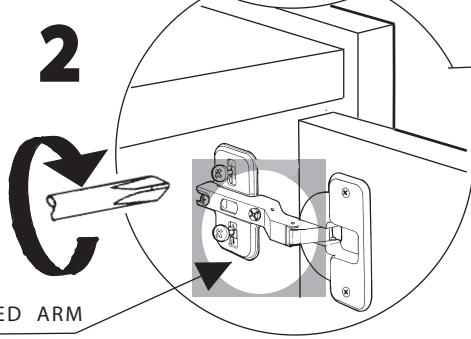
 x 4

1

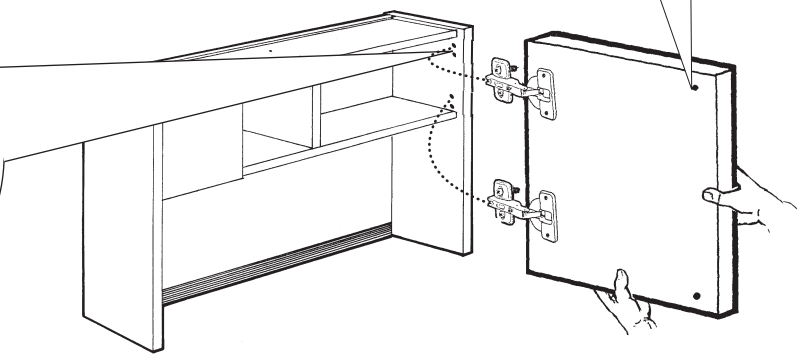


Mounting plate must be pushed tight against gable before screws are tightened

2



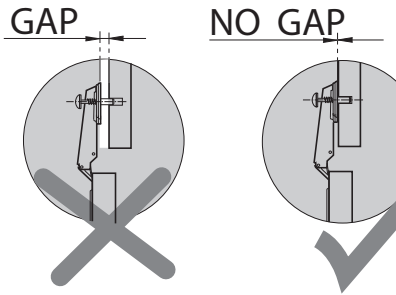
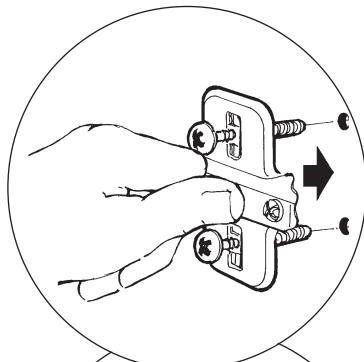
CRANKED ARM  
Outside Doors



# Step 2

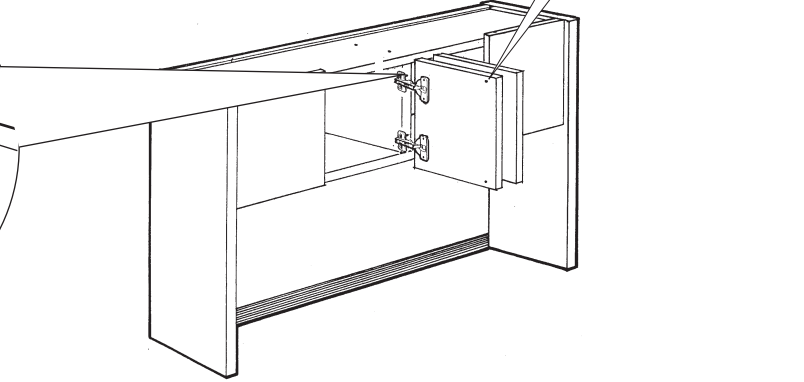
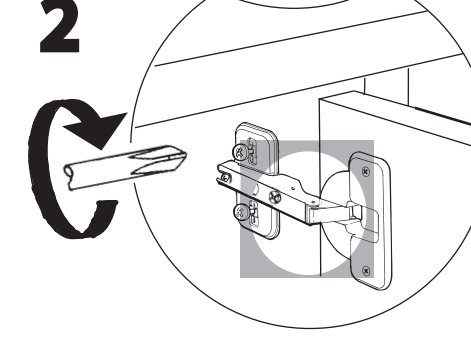
 x 4

1



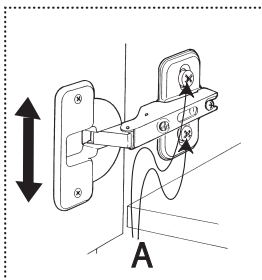
Mounting plate must be pushed tight against gable before screws are tightened

2

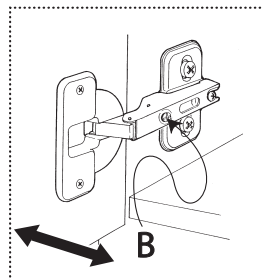


## TO LEVEL DOOR:

To adjust door  
UP & DOWN



To adjust door  
SIDE TO SIDE



To adjust door  
IN & OUT

