

# Assembly Instructions

NL65HO  
NL71HO

Thank you for purchasing this product from Global. Before you begin assembly, check that you have all the parts and hardware shown on this page.

If there is any item missing, circle the item, indicating quantity required and return to us by fax or mail:

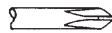
## CANADA

Global Upholstery  
560 Supertest Road  
Downsview, Ont.  
M3J 2M6  
TEL. (416)661-3660  
FAX. (416)661-4300  
Attn.: Customer Service

## US

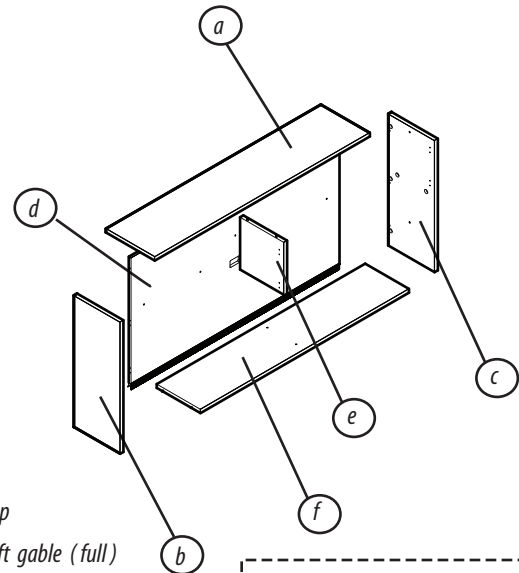
Global Industries Inc.  
17 West Stow ROAD  
P.O. 524  
Marlton, NJ 08053  
TEL. (856)596-3390  
FAX. (856)596-5684  
Attn.: Customer Service

### TOOLS REQUIRED



PHILLIPS  
Screwdriver size #2

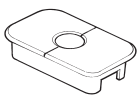

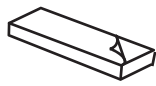
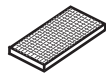

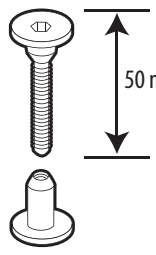

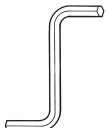


It is advisable to assemble unit on a carpet to avoid scratches.



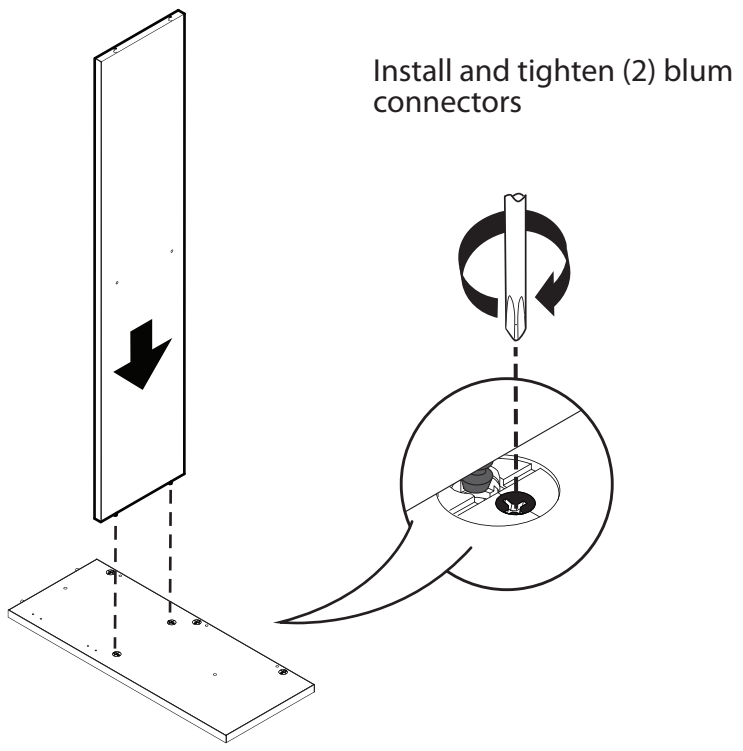
- a. Top
- b. Left gable (full)
- c. Right gable (full)
- d. Back
- e. Divider
- f. Shelf

**Notice to installers:**  
Open and assemble only one product at a time to avoid a potential mix up of parts and hardware.

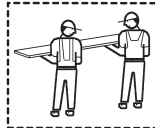
NAIN 23 rev: 00

<p><b>GEN160</b> Rectangular Grommet</p>  <p>X 1</p>	<p><b>FST 007</b> Wood Dowel 8mm dia x 30mm</p>  <p>X 6</p>	<p><b>ADH046</b> DOUBLE SIDED TAPE 3/4" x 1 1/2" x 1mm WHITE with YELLOW liner</p>  <p>X 4</p>	<p><b>ADH024</b> Non Skid Tape, Die Cut</p>  <p>X 4</p>	<p><b>GEN354</b> CORNER BRACKET 1 3/4" x 1" x 1"</p>  <p>x 2</p>	<p><b>FST008</b> <b>FST009</b> GANGLING CONNECTOR Bolt 1/4-20 x 50mm Cap 1/4-20 x 17mm 17/9.5 dia</p>  <p>50 mm</p> <p><b>WARNING</b> x 2</p> <p>Use supplied gangling connector (50 mm) <b>only</b> to attach to other units with 1" gables, such as: End shelves, Hutches and Overhead storages. To attach to units with 11/16" gables, use the gangling connector (35mm) <b>packed with those units</b></p>
<p><b>FST 034</b> Confirmat 50 Hex</p>  <p>X 4</p>	<p><b>GEN 073</b> Allen Key</p>  <p>X 1</p>	<p><b>FST135</b></p>  <p>X 4</p>	<p><b>GEN227</b> ALLEN KEY, "L" SHAPE, SWS</p>  <p>x 1</p>		

Step **1**

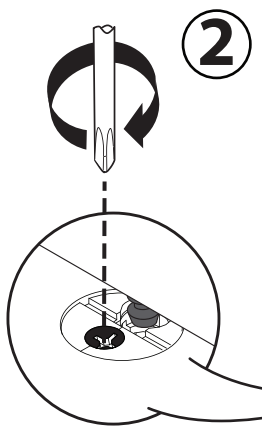


Step **2a**

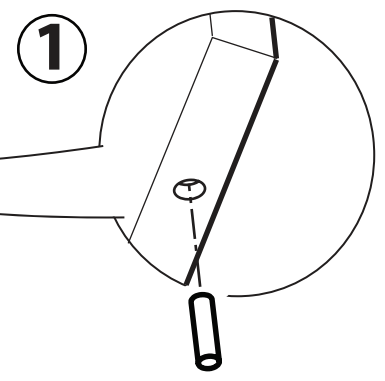


MINIMUM TWO PEOPLE  
REQUIRED FOR THIS STEP

Install and tighten (3) blum connectors



Install (3) Wood Dowels



Step

2b

FST 034  
Conformat 50 Hex

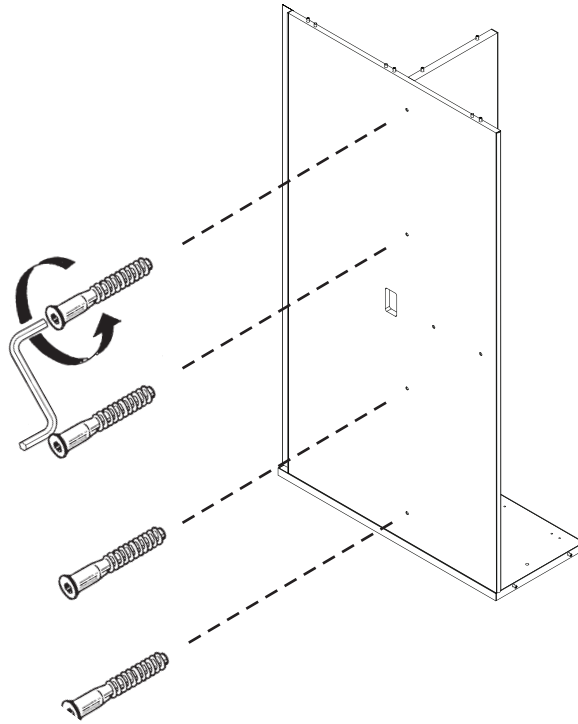


X 4

GEN 073



X 1



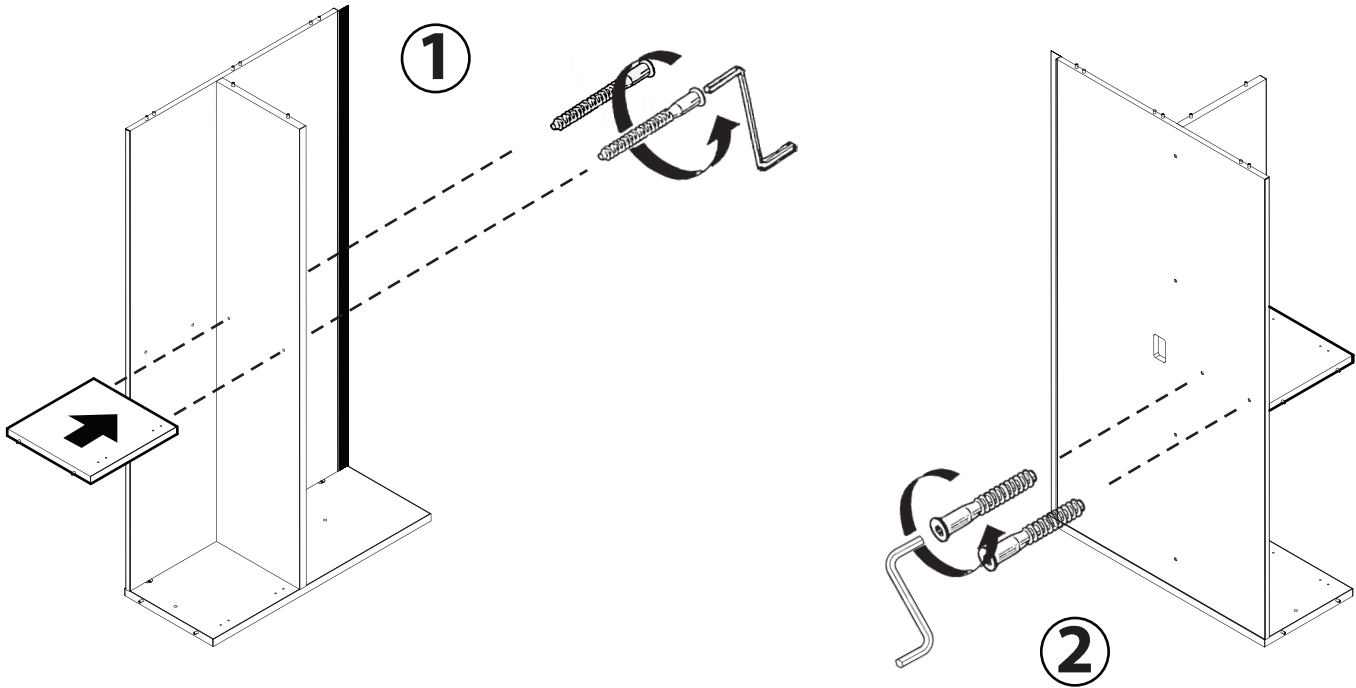
Step

3

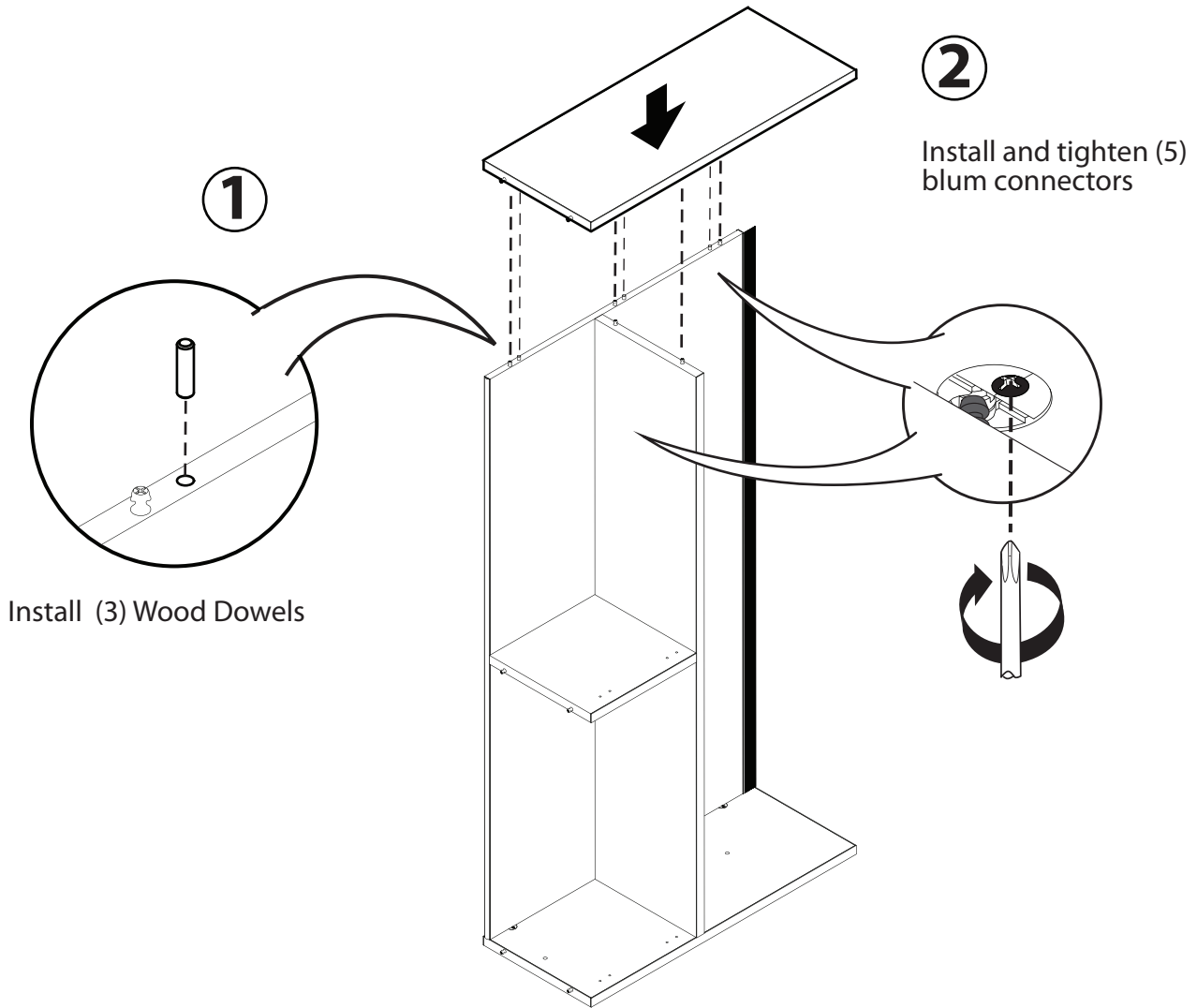
FST 034  
Conformat 50 Hex



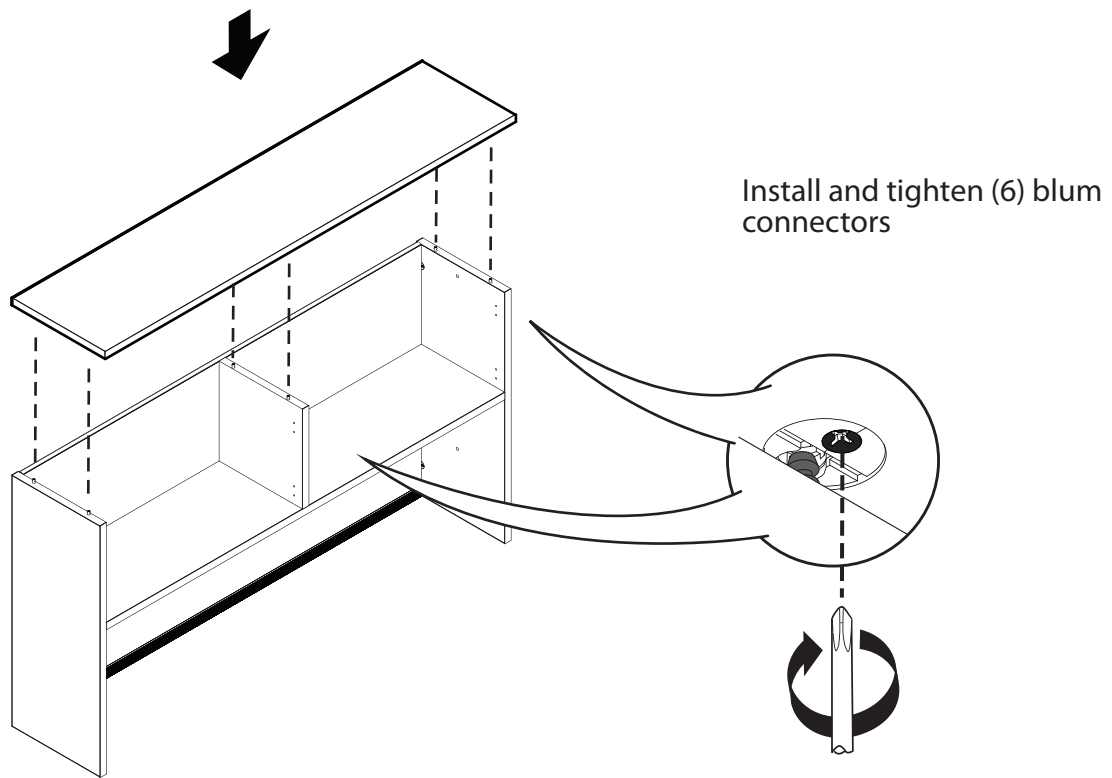
X 4



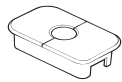
Step **4**   
X 3



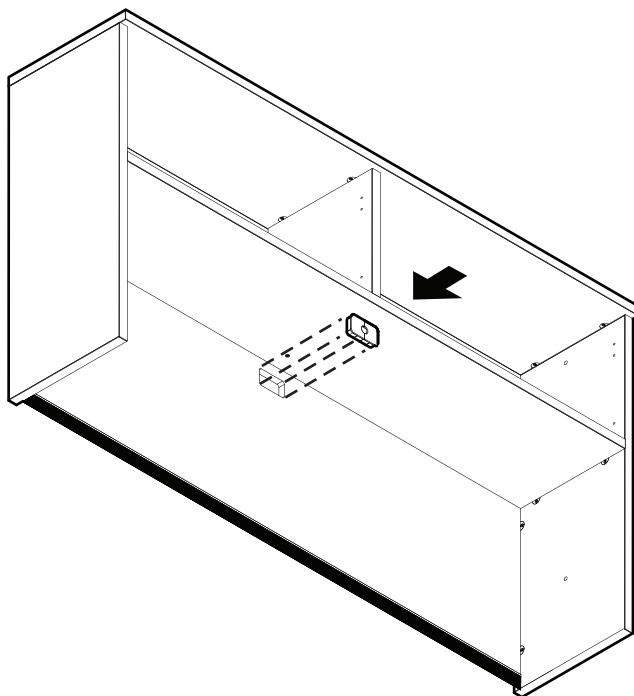
Step **5**



Step **6**

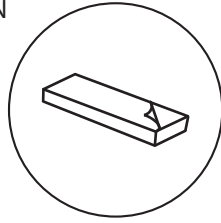


x1



### OPTION a

PERMANENT INSTALLATION  
DOUBLE SIDE TAPE

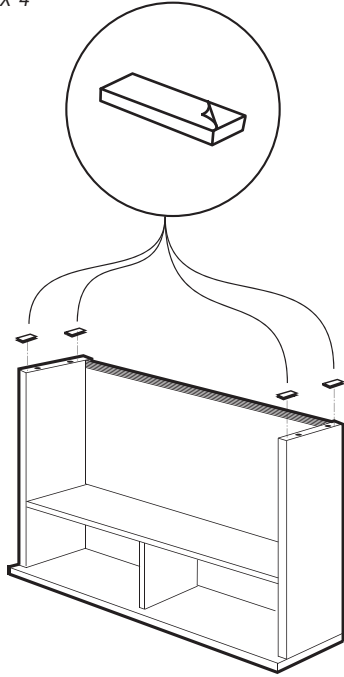


Step **7a**

ADH046

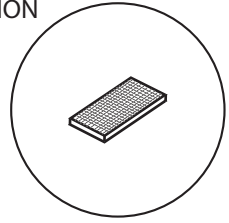


X 4



### OPTION b

SEMI-PERMANENT INSTALLATION  
NON-SKID TAPE

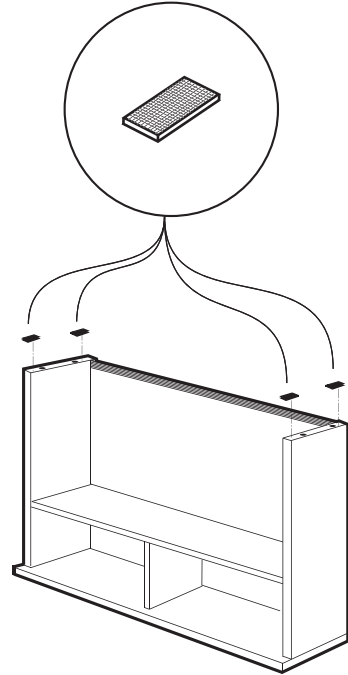


Step **7b**

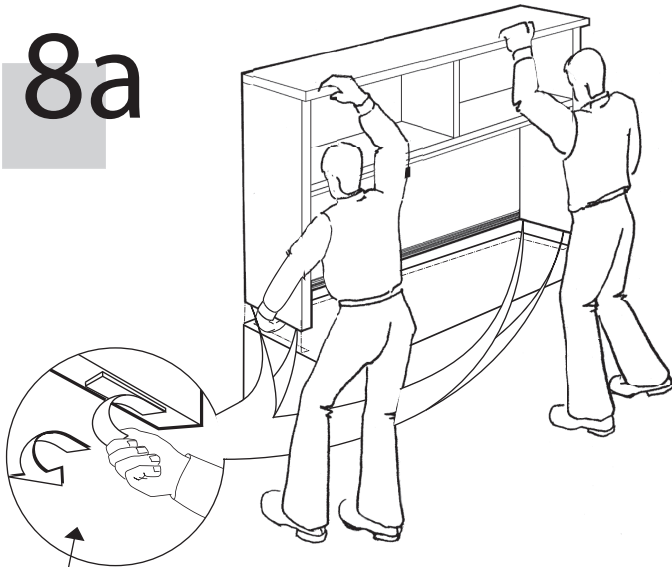
ADH024



X 4



Step **8a**



For permanent attachment to TABLE,  
remove paper liner from adhesive strip  
on bottom of GABLES. Carefully align HUTCH  
into position on TABLE. Press down on HUTCH.

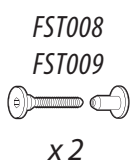
NOTE: Once adhesive is activated,  
HUTCH CANNOT BE RE- POSITIONED.

Step **8b**

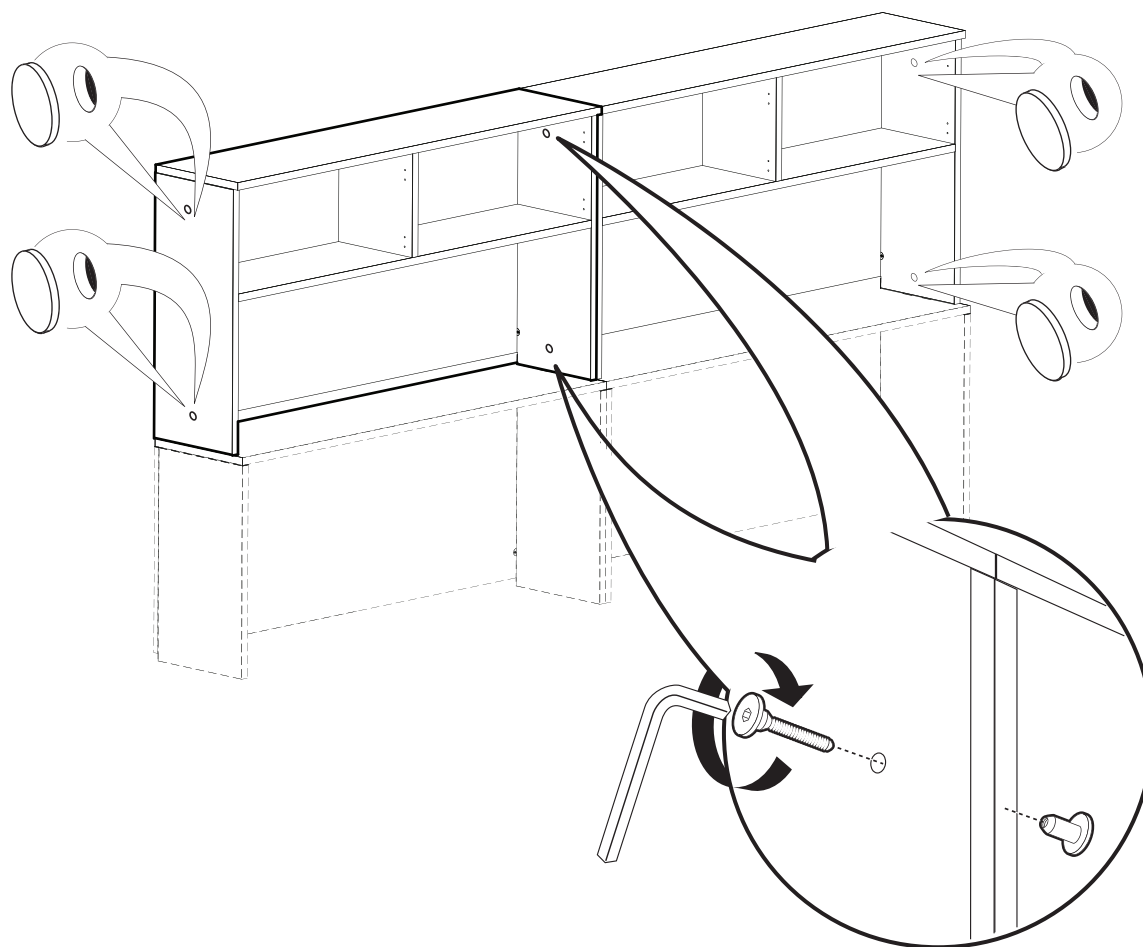


For semi-permanent attachment to TABLE,  
carefully align HUTCH  
into position on TABLE.

Step **9**

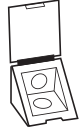


Use supplied ganging connector (50 mm) **only** to attach to other units with 1" gables, such as: End shelves, Hutches and Overhead storages.  
To attach to units with 11/16" gables, use the ganging connector (35mm) **packed with those units**



Step **10**

GEN354



x 2

FST135



x 4

