

NL42RB

Assembly Instructions

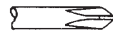
Thank you for purchasing this product from Global. Before you begin assembly, check that you have all the parts and hardware shown on this page.

If there is any item missing, circle the item, indicating quantity required and return to us by fax or mail:

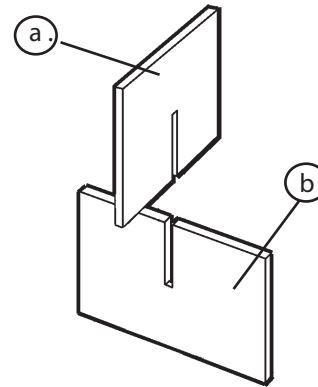
CANADA
Global Upholstery
560 Supertest Road
Downsview, Ont.
M3J 2M6
TEL. (416)661-3660
FAX. (416)661-4300
Attn.: Customer Service

US
Global Industries Inc.
17 West Stow Road
P.O. 524
Marlton, NJ 08053
TEL. (856)596-3390
FAX. (856)596-5684
Attn.: Customer Service

TOOLS REQUIRED



PHILLIPS
Screwdriver size #2



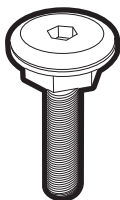
- a. Upper base
- b. Lower base

Notice to installers:
Open and assemble only one product at a time to avoid a potential mix up of parts and hardware.

It is advisable to assemble unit on a carpet to avoid scratches.

NAIN 35 rev: 00 Hardware

GEN222
Leveler 5/16"-18 x 15/16" Base,
1 1/8" Stem



X 4

FST066
Minifix 15 Cam,
Housing, 12.5mm Length



X 8

FST070
Minifix Connecting Bolt



X 8

ABAG 33 Rev:01

Step

1

GEN222 FST066 FST070



X 4



X 8



X 8

