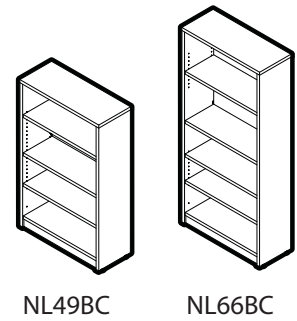


Assembly Instructions



Thank you for purchasing this product from Global. Before you begin assembly, check that you have all the parts and hardware shown on this page.

If there is any item missing, circle the item, indicating quantity required and return to us by fax or mail:

CANADA

Global Upholstery
560 Supertest Road
Downsview, Ont.
M3J 2M6
TEL. (416)661-3660
FAX. (416)661-4300
Attn.: Customer Service

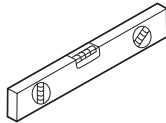
US

Global Industries Inc.
17 West Stow ROAD
P.O. 524
Marlton, NJ 08053
TEL. (856)596-3390
FAX. (856)596-5684
Attn.: Customer Service

TOOLS REQUIRED



PHILLIPS
Screwdriver size #2

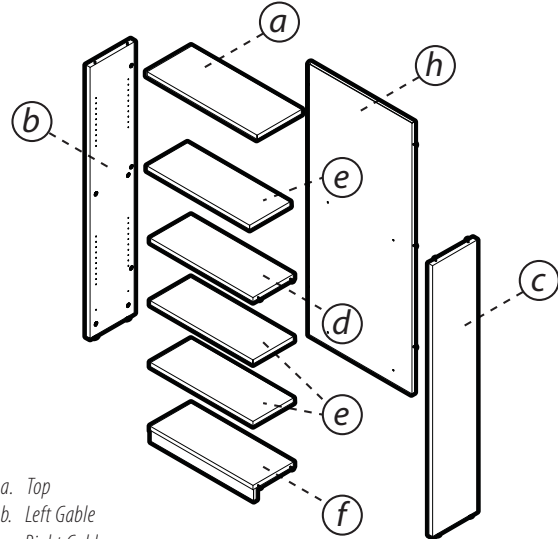


LEVELER



WRENCH
size #16 or 5/8"

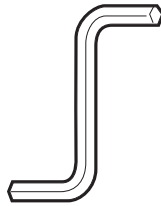



It is advisable to assemble unit on a carpet to avoid scratches.



- a. Top
- b. Left Gable
- c. Right Gable
- d. Fixed Shelf
- e. Adjustable Shelves (x3 or 4)
- f. Bottom with kickbase
- g. Back

Notice to installers:
Open and assemble only one product at a time to avoid a potential mix up of parts and hardware.

NAIN 05 rev: 00

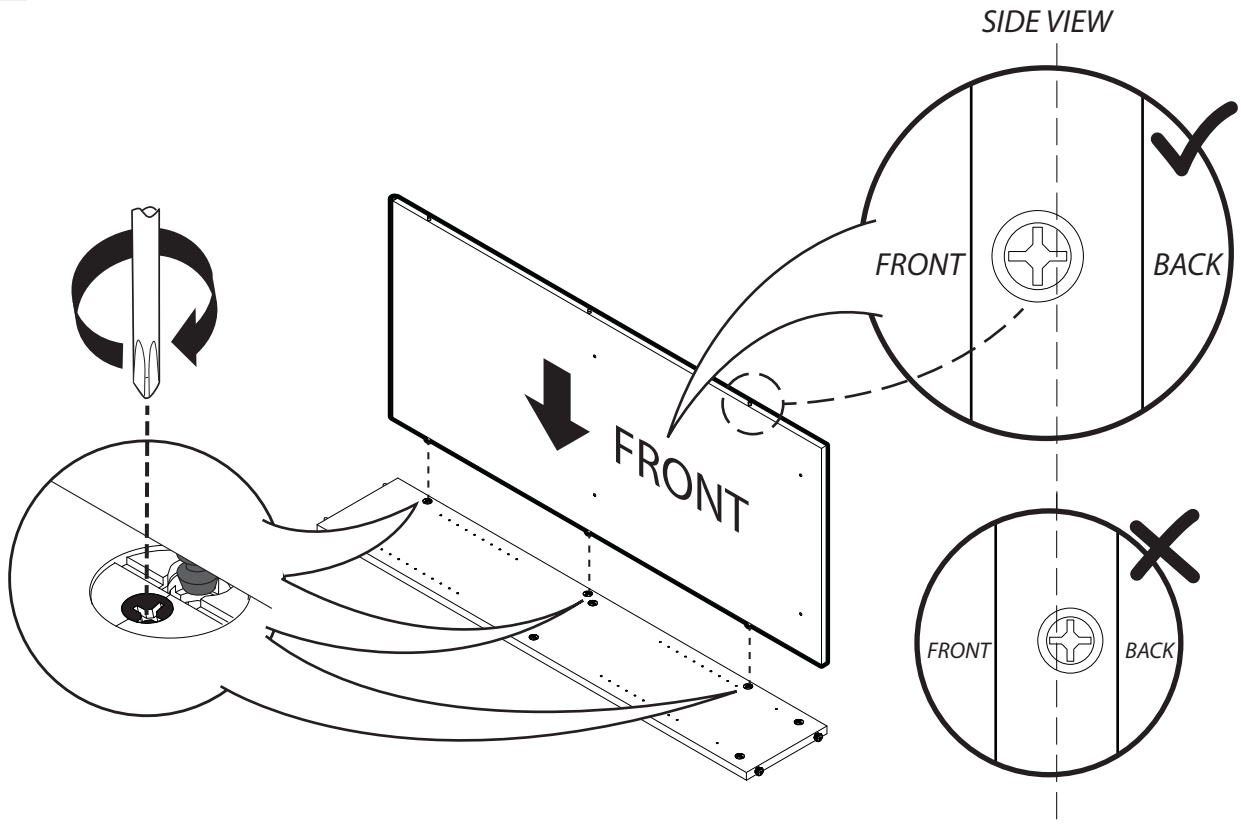
	<p><i>GEN073</i> Allen Key</p> 	<p><i>FST034</i></p> 	<p><i>GEN014</i></p> 	<p><i>GEN063</i> Shelf Support</p> 
NL49BC	X 1	X 2	X 2	X 12
NL66BC	X 1	X 4	X 4	X 16

Step

1

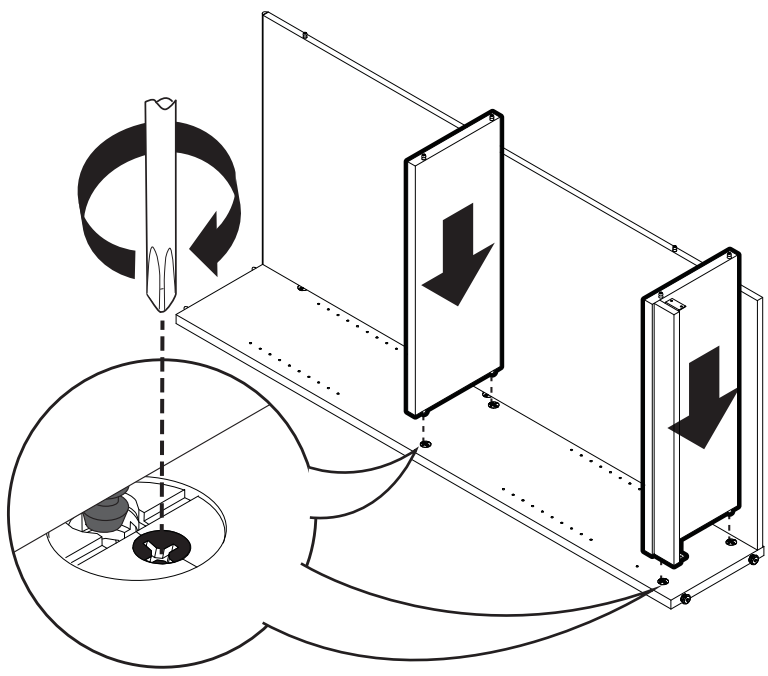


Locate the bookcase in room before you proceed to the next step.



Step

2



Step

3

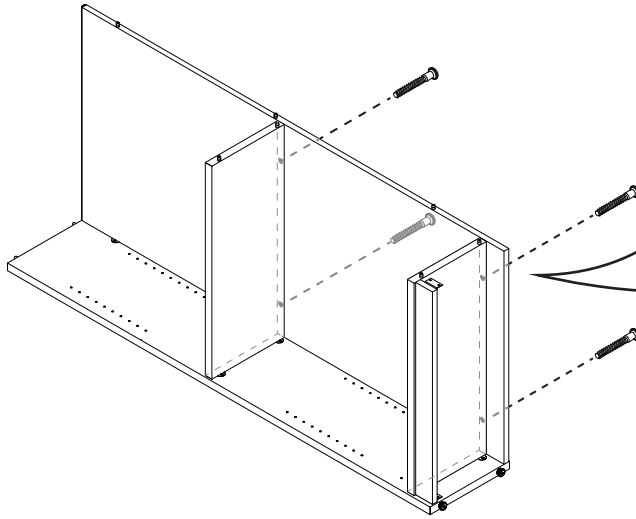
FST034 GEN014



X 2 or 4



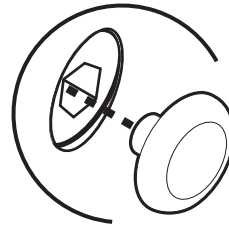
X 2 or 4



1

Install and tighten
(x 2 or 4) FST034 screws

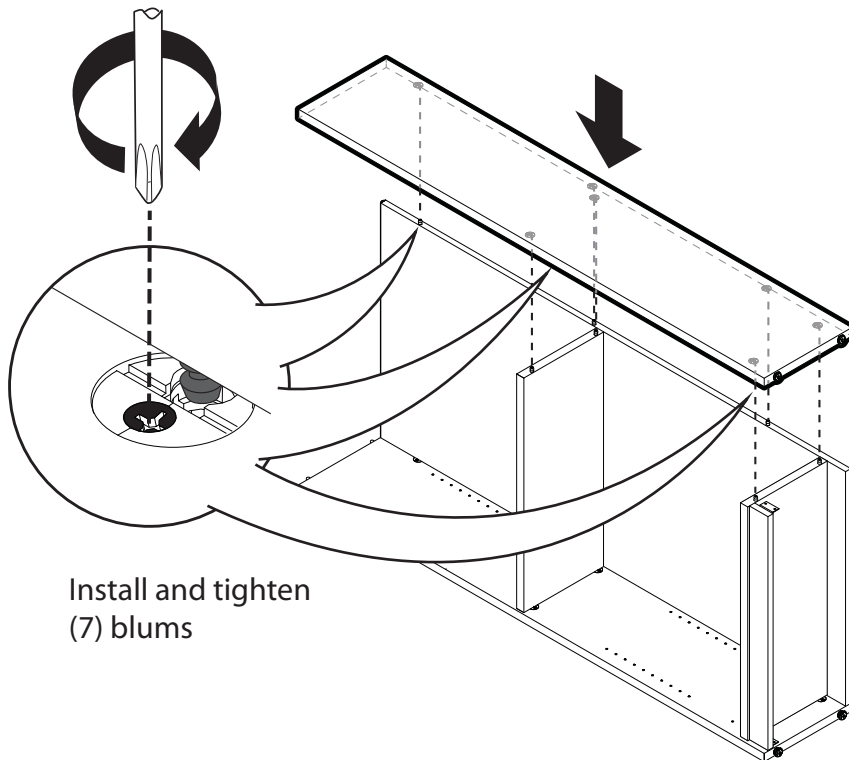
2



Cap FST034 with
(x 2 or 4) GEN014

Step

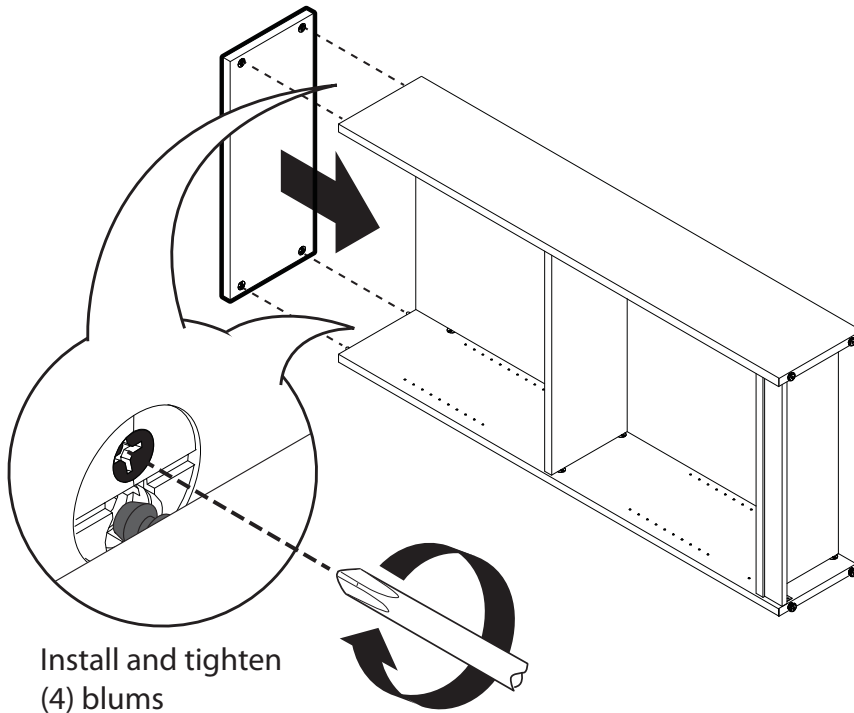
4



Install and tighten
(7) blums

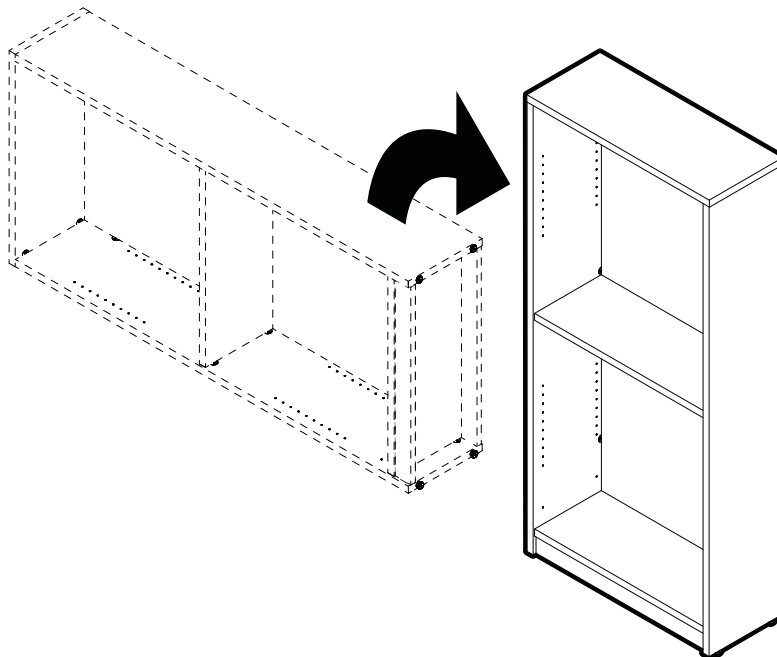
Step

5



Step

6



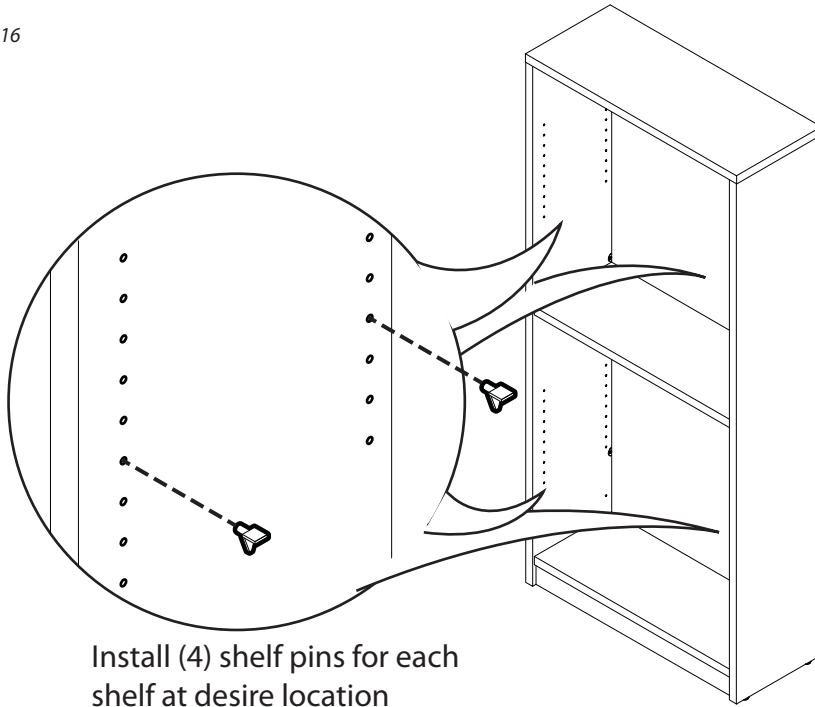
Step

7

GEN063



X 12 or 16



Install (4) shelf pins for each shelf at desire location

Step

8

Install (3) adjustable shelves for NL66BC
(2) adjustable shelves for NL49BC

