

NL6030D
NL6630D
NL7230D
NL7236D

NL7242BD

Assembly Instructions

Thank you for purchasing this product from Global. Before you begin assembly, check that you have all the parts and hardware shown on this page.

If there is any item missing, circle the item, indicating quantity required and return to us by fax or mail:

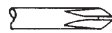
CANADA

Global Upholstery
560 Supertest Road
Downsview, Ont.
M3J 2M6
TEL. (416)661-3660
FAX. (416)661-4300
Attn.: Customer Service

US

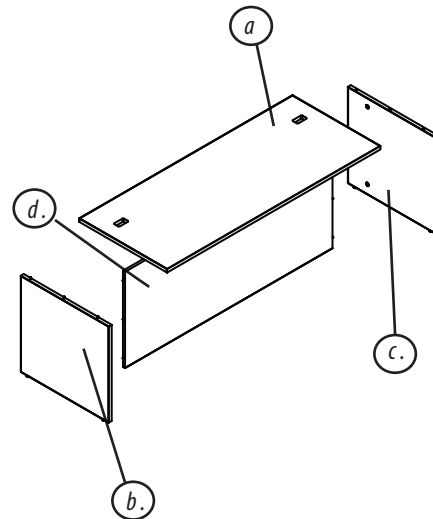
Global Industries Inc.
17 West Stow ROAD
P.O. 524
Marlton, NJ 08053
TEL. (856)596-3390
FAX. (856)596-5684
Attn.: Customer Service

TOOLS REQUIRED



PHILLIPS
Screwdriver size #2

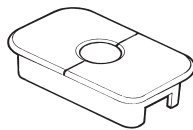
It is advisable to assemble unit on a carpet to avoid scratches.



- a. Top
- b. Left gable (full)
- c. Right gable (full)
- d. Back

Notice to installers:
Open and assemble only one product at a time to avoid a potential mix up of parts and hardware.

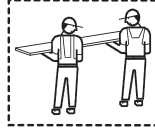
GEN160
Rectangular Grommet



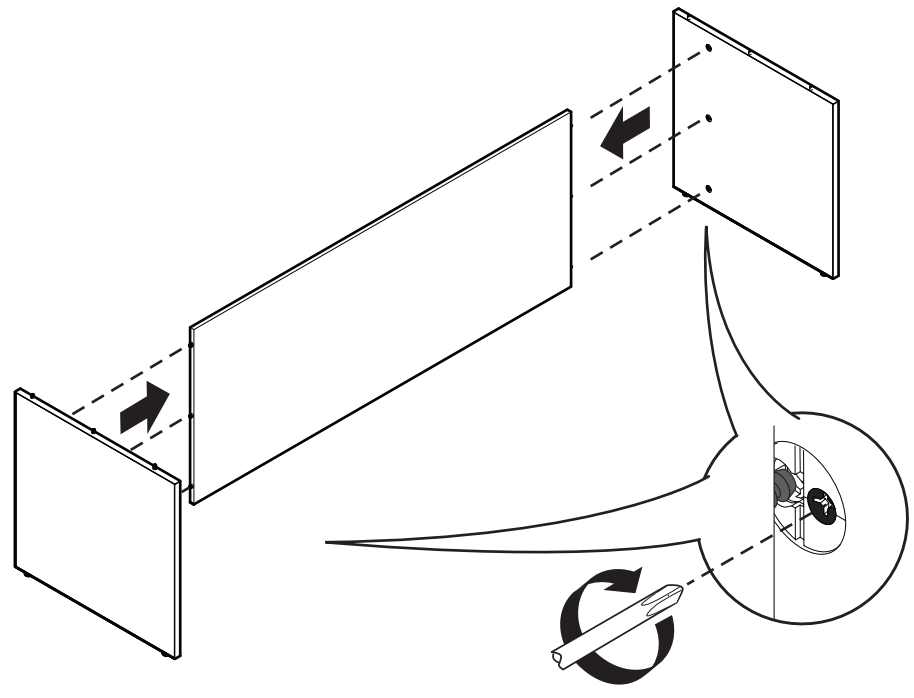
x 2

NAIN 24 rev: 00

Step 1

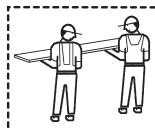


MINIMUM TWO PEOPLE
REQUIRED FOR THIS STEP

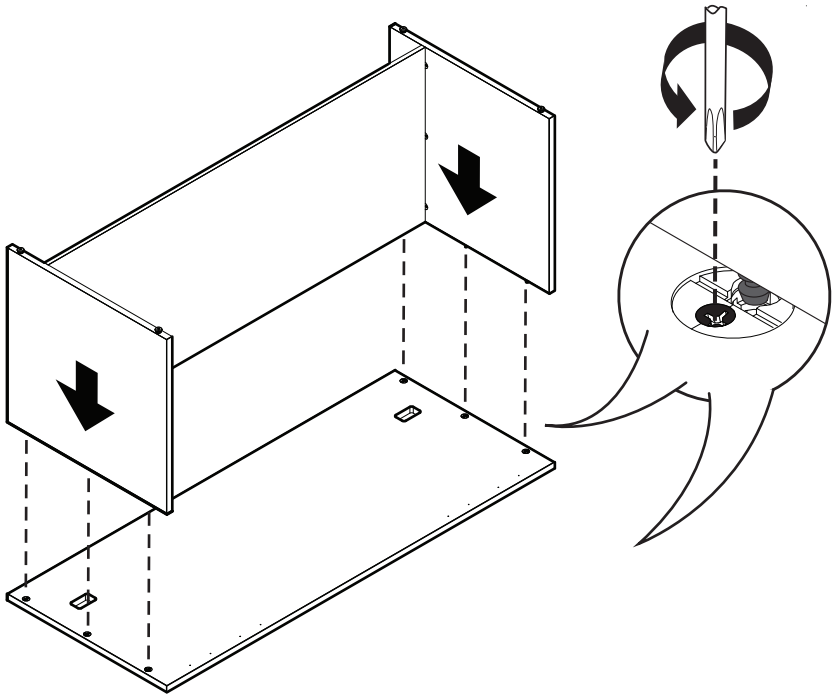


Install and tighten (6) blum connectors

Step 2

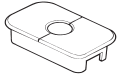


MINIMUM TWO PEOPLE
REQUIRED FOR THIS STEP

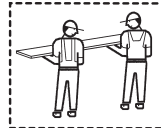


Install and tighten (6) blum connectors

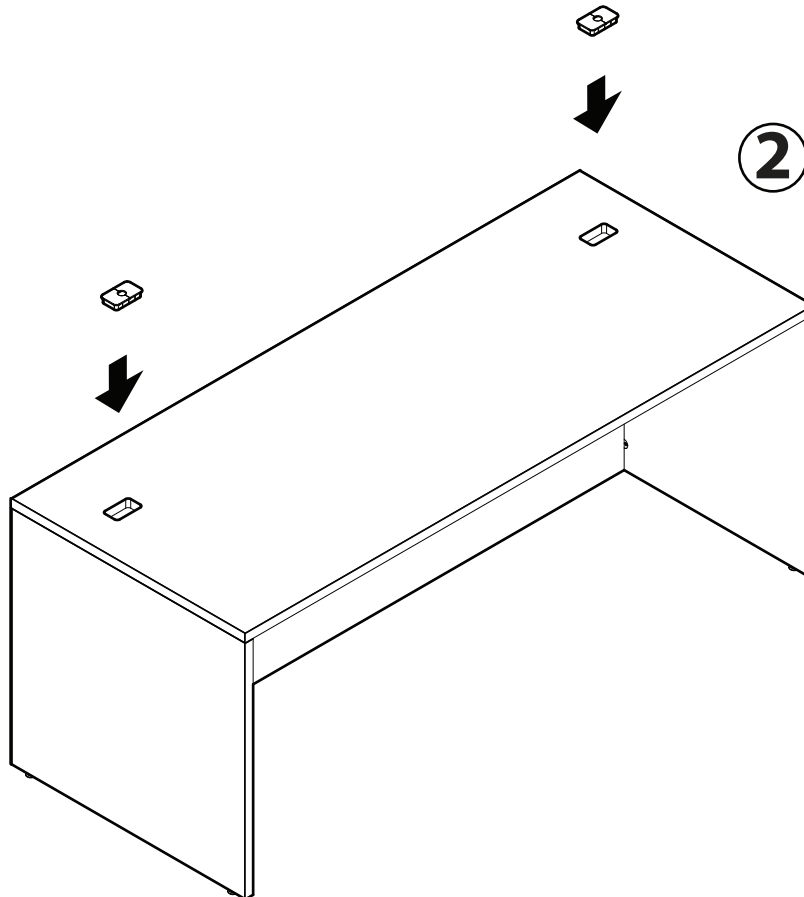
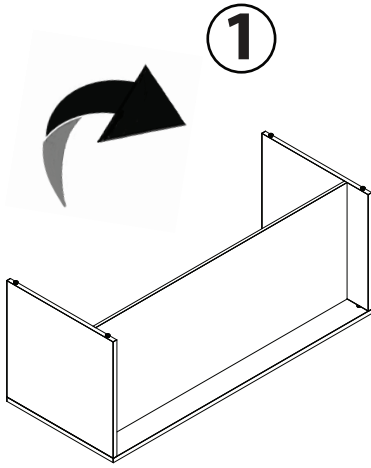
Step **3**



x 2



MINIMUM TWO PEOPLE
REQUIRED FOR THIS STEP



3 Level the desk