

NL6630DM
NL7236DM

NL6630RM
NL7236RM

Assembly Instructions

Thank you for purchasing this product from Global.
Before you begin assembly, check that you have all the parts and hardware shown on this page.

If there is any item missing, circle the item, indicating quantity required and return to us by fax or mail:

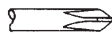
CANADA

Global Upholstery
560 Supertest Road
Downsview, Ont.
M3J 2M6
TEL. (416)661-3660
FAX. (416)661-4300
Attn.: Customer Service

US

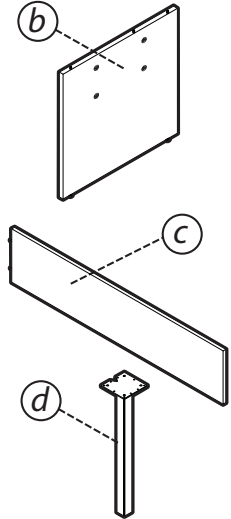
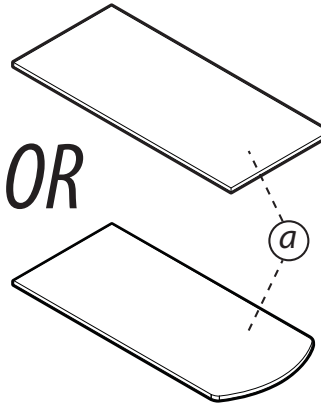
Global Industries Inc.
17 West Stow ROAD
P.O. 524
Marlton, NJ 08053
TEL. (856)596-3390
FAX. (856)596-5684
Attn.: Customer Service

TOOLS REQUIRED



PHILLIPS
Screwdriver size #2

OR



- a. Top
- b. Gable
- c. Modesty Panel
- d. Square Post

Notice to installers:
Open and assemble only one product at a time to avoid a potential mix up of parts and hardware.

It is advisable to assemble unit on a carpet to avoid scratches.

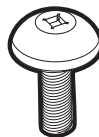
NAIN 14 rev: 00

FST028
#8 x 3/4 Pan HD.



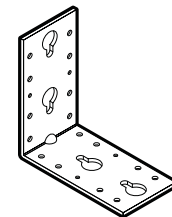
X8

FST158
1/4-20 x 3/4"
P.H. QUAD.ZINC



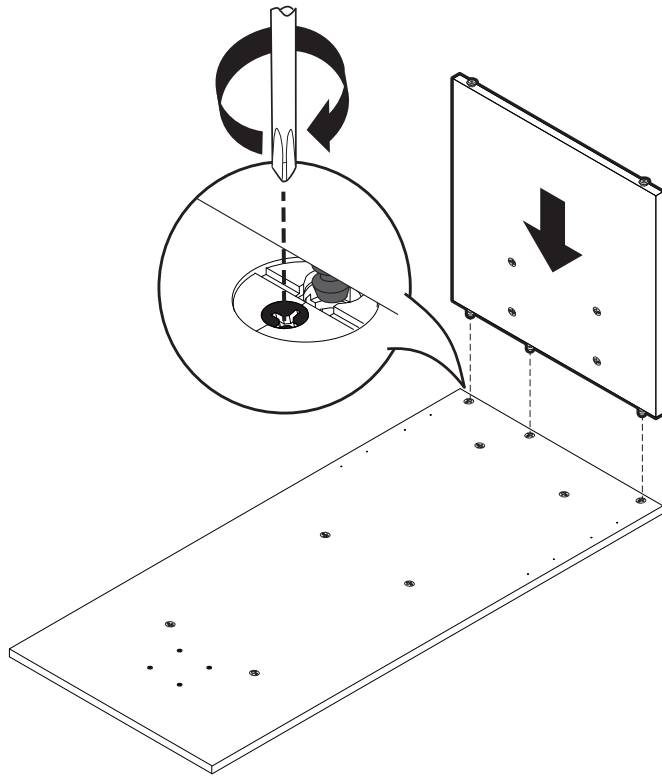
X4

CST455
L Shape Bracket

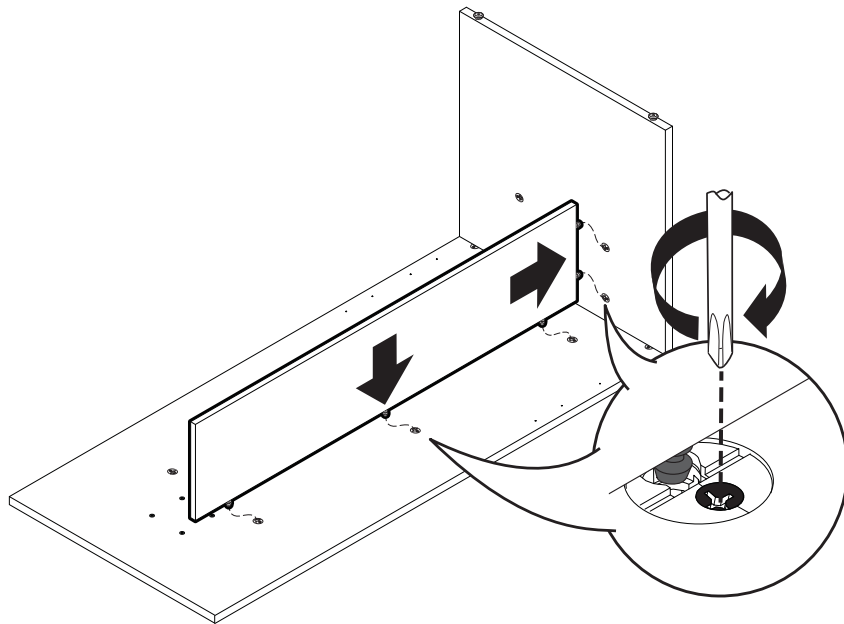


X1

Step 1

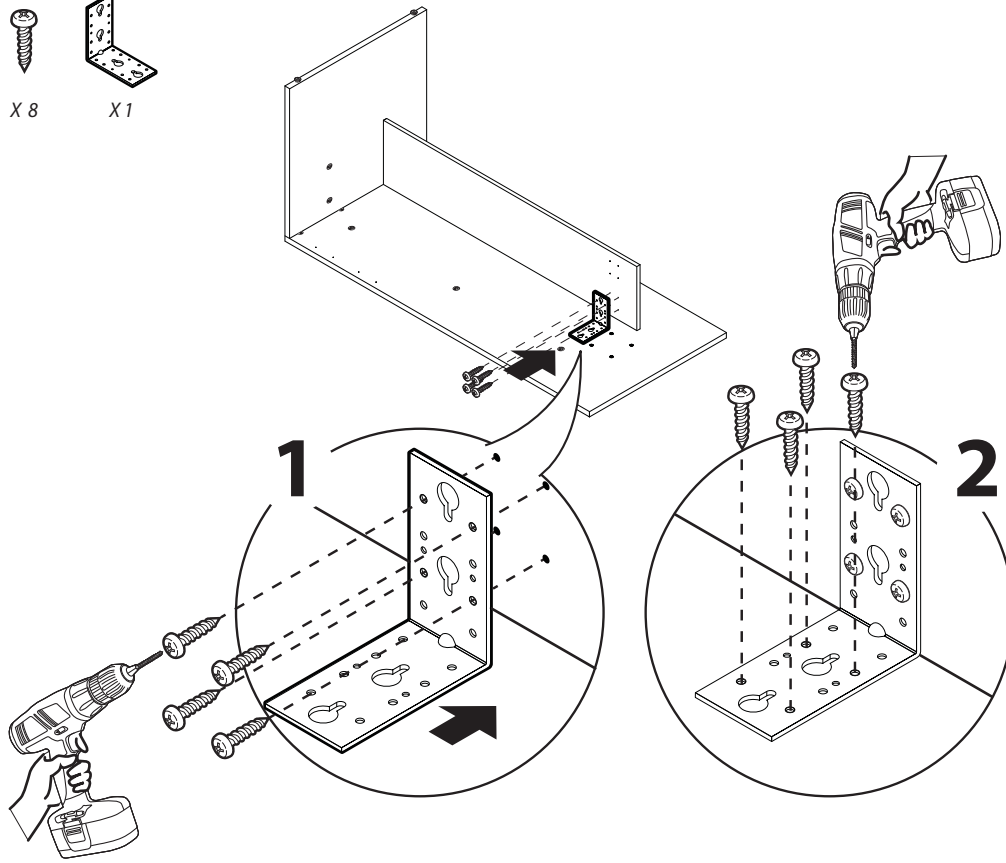


Step 2



Step 3

- FST028 X 8
- CST455 X 1



Step 4

- FST158 X 4

