

NL3623SC

# Assembly Instructions

Thank you for purchasing this product from Global. Before you begin assembly, check that you have all the parts and hardware shown on this page.

If there is any item missing, circle the item, indicating quantity required and return to us by fax or mail:

## CANADA

Global Upholstery  
560 Supertest Road  
Downsview, Ont.  
M3J 2M6  
TEL. (416)661-3660  
FAX. (416)661-4300  
Attn.: Customer Service

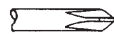
## US

Global Industries Inc.  
17 West Stow ROAD  
P.O. 524  
Marlton, NJ 08053  
TEL. (856)596-3390  
FAX. (856)596-5684  
Attn.: Customer Service

### TOOLS REQUIRED

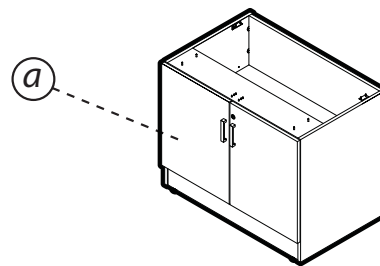


WRENCH  
size #16 or 5/8"



PHILLIPS  
Screwdriver size #2

It is advisable to assemble unit on a carpet to avoid scratches.



a. Storage Shell

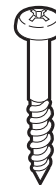
**Notice to installers:**  
Open and assemble only one product at a time to avoid a potential mix up of parts and hardware.

**FST030**  
#8 x9/16 Pan HD.



X 4

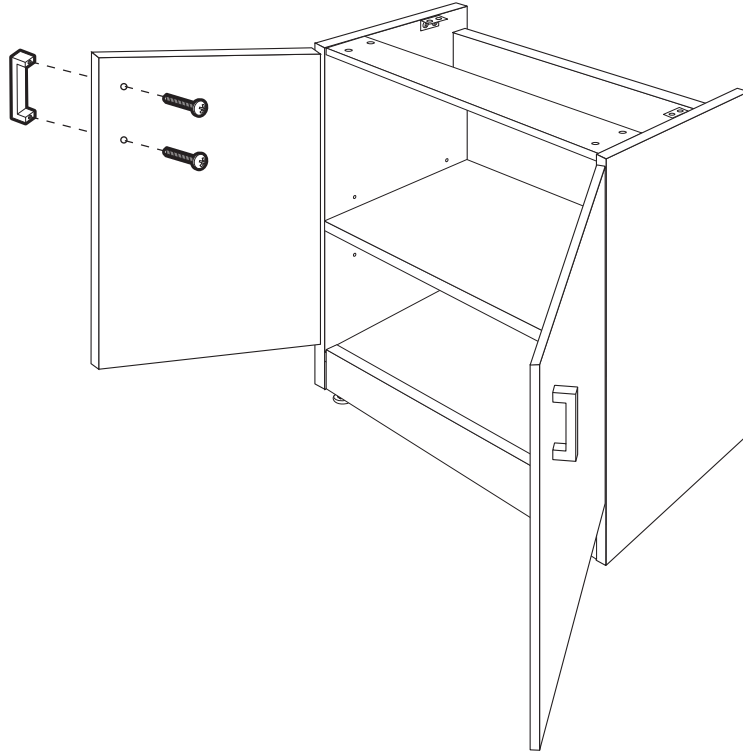
**FST 094**  
Wood Screw #8 x1 3/8  
PH. QUAD.DT.,BARE



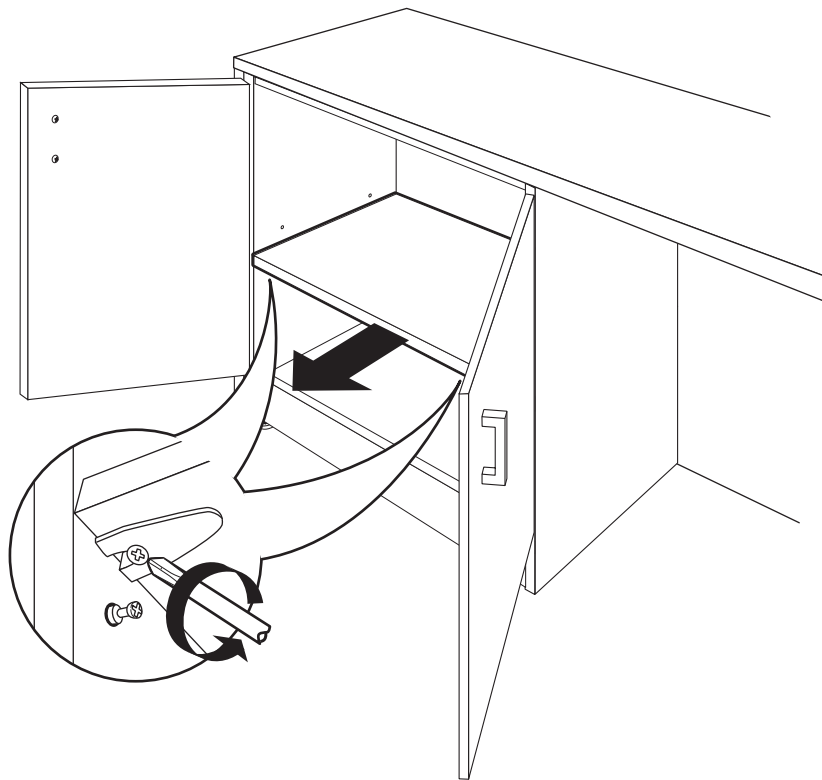
X 4

NAIN 17 rev: 00

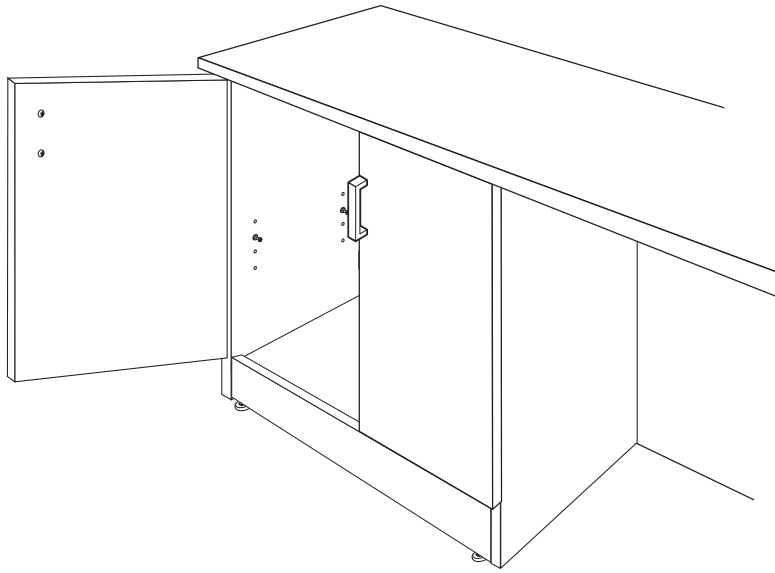
Step **1**



Step **2**

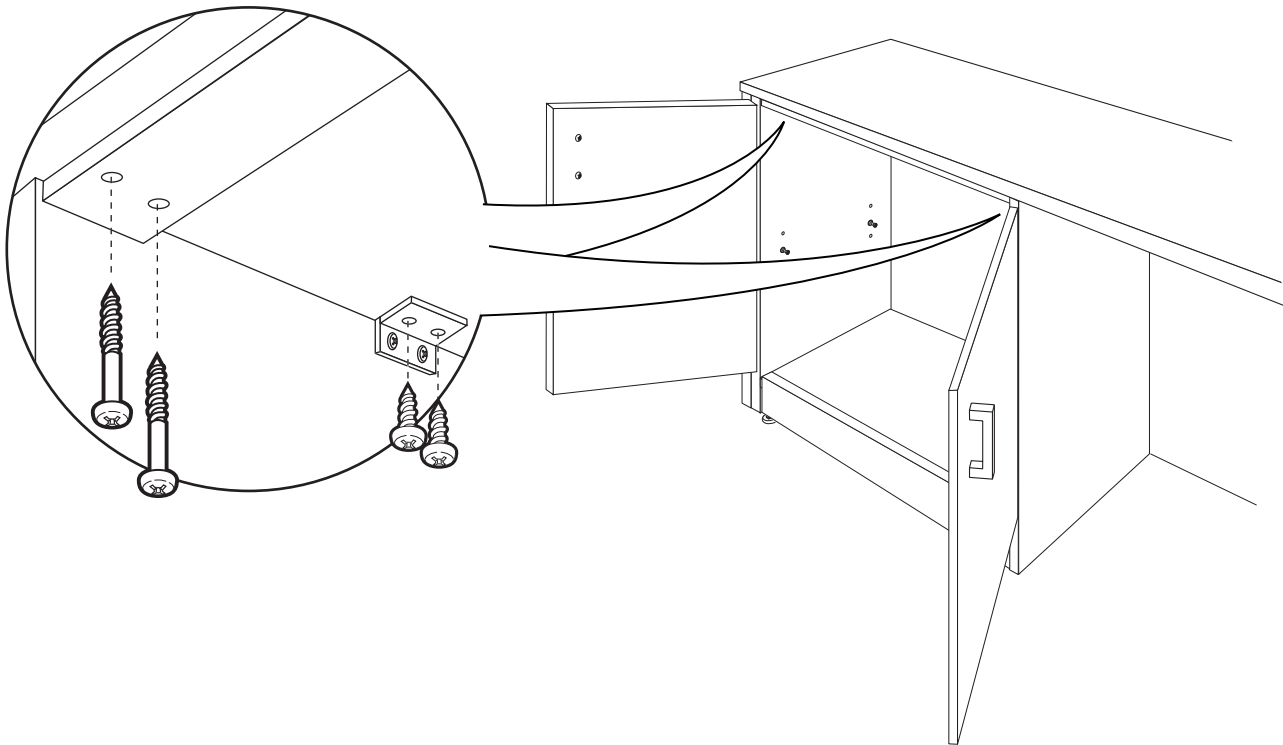


Step **3**

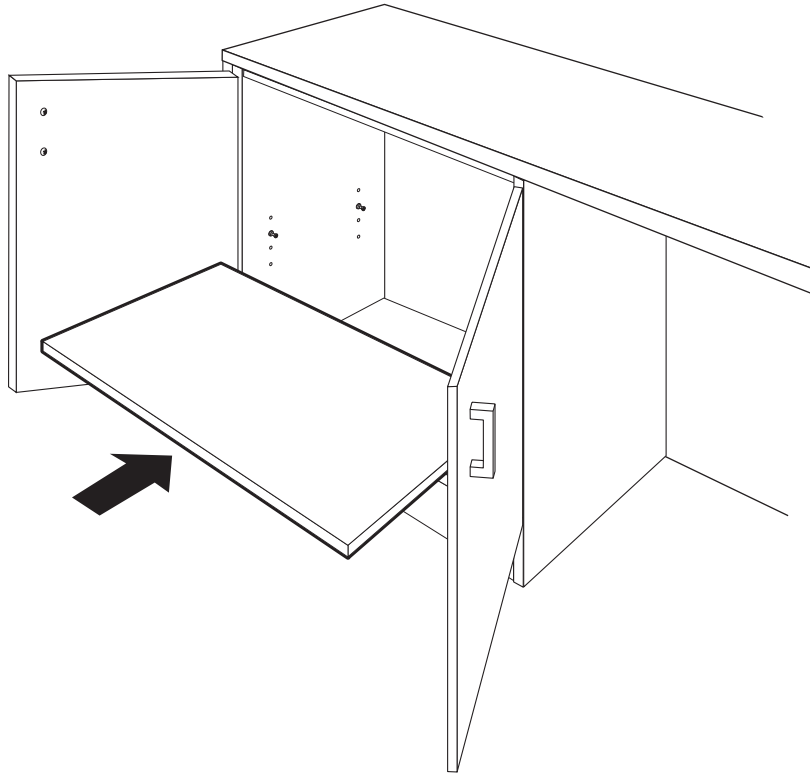


Step **4**

- FST030 X 4
- FST094 X 4



Step **5a**



Step **5b**

