

# Assembly Instructions

Thank you for purchasing this product from Global. Before you begin assembly, check that you have all the parts and hardware shown on this page.

If there is any item missing, circle the item, indicating quantity required and return to us by fax or mail:

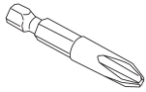
## CANADA

Global Upholstery  
560 Supertest Road  
Downsview, Ont.  
M3J 2M6  
TEL. (416)661-3660  
FAX. (416)661-4300  
Attn.: Customer Service

## US

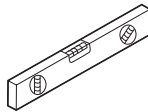
Global Industries Inc.  
17 West Stow ROAD  
P.O. 524  
Marlton, NJ 08053  
TEL. (856)596-3390  
FAX. (856)596-5684  
Attn.: Customer Service

### TOOLS REQUIRED



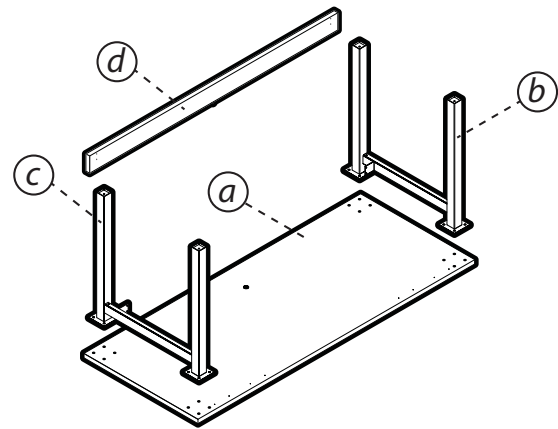
PHILLIPS

Screwdriver size #2



LEVELER

It is advisable to assemble unit on a carpet to avoid scratches.



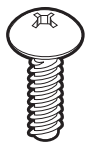
- a. Top
- b. Left Leg
- c. Right Leg
- d. Stretcher

### Notice to installers:

Open and assemble only one product at a time to avoid a potential mix up of parts and hardware.

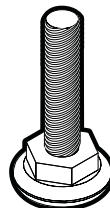
NAIN 18 rev: 00

**FST158**  
SCREW 1/4"-20 X 3/4"  
PH. QUAD ZINC



X16

**GEN427**  
5/16"-18 x 1 1/2" x 15/16" base



X4

**FST028**  
#8 x 3/4 Pan HD.



X4

PACKED WITH THE METAL LEGS

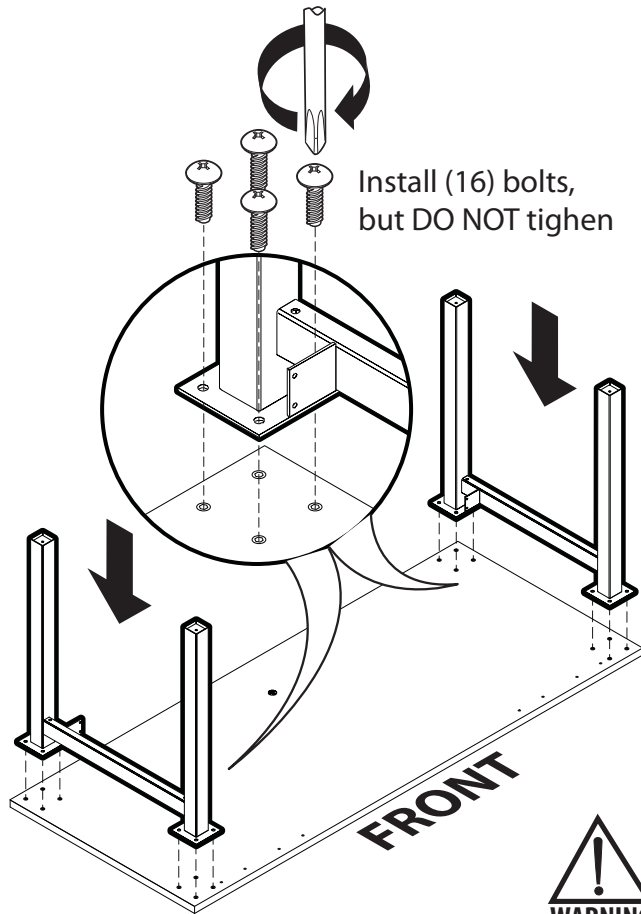
Step

1

FST158



X 16



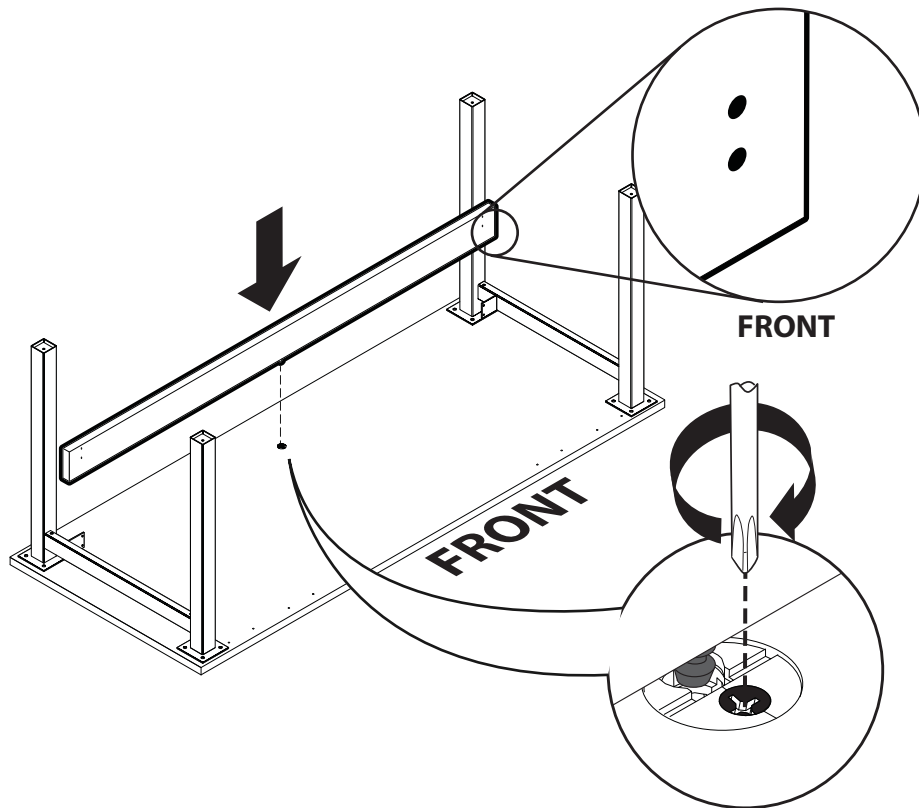
Install (16) bolts,  
but DO NOT tighten



Locate and Level the Desk in room  
before you proceed to the next step.

Step

2



FRONT

FRONT

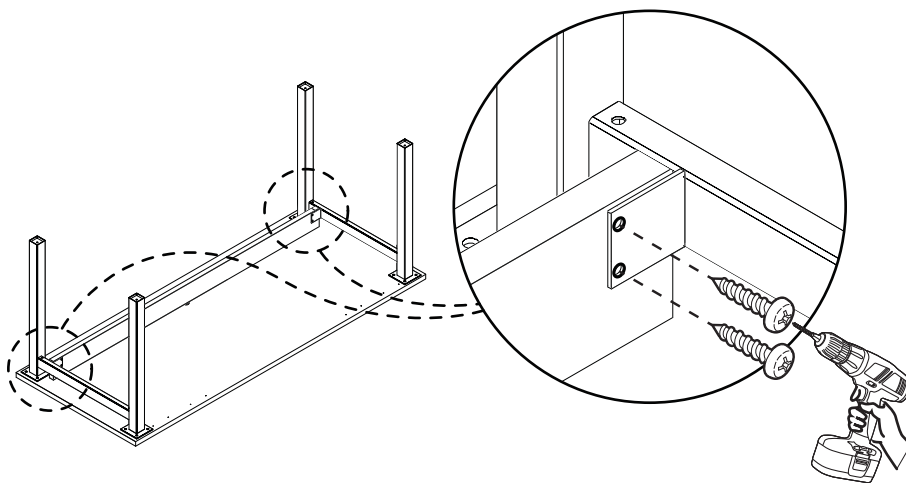
Step

3

FST028



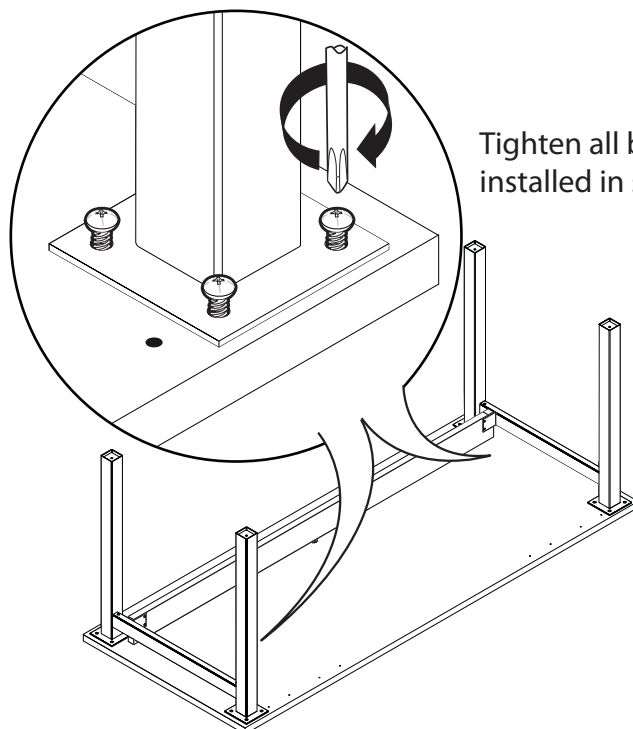
X4



Install (2) screws  
on each side

Step

4

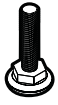


Tighten all bolts  
installed in step 1

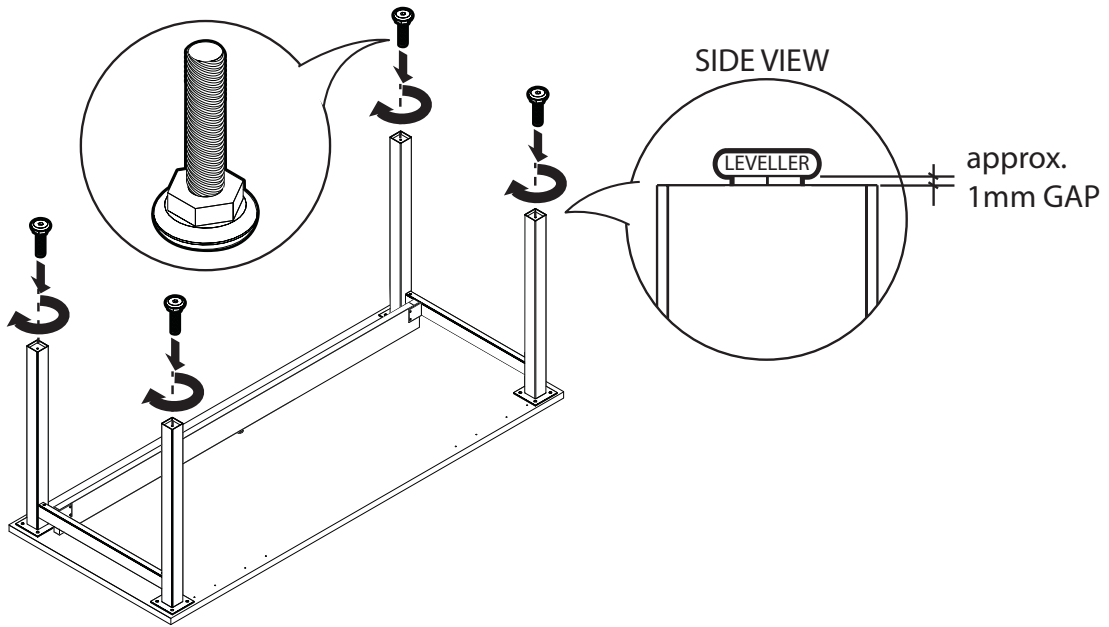
Step

5

GEN427

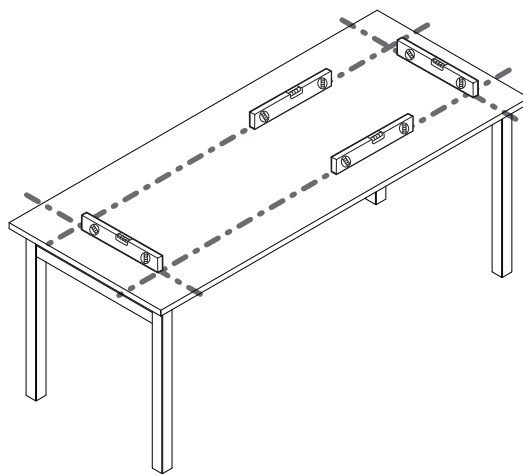


X4



Step

6



Leveler adjustment

