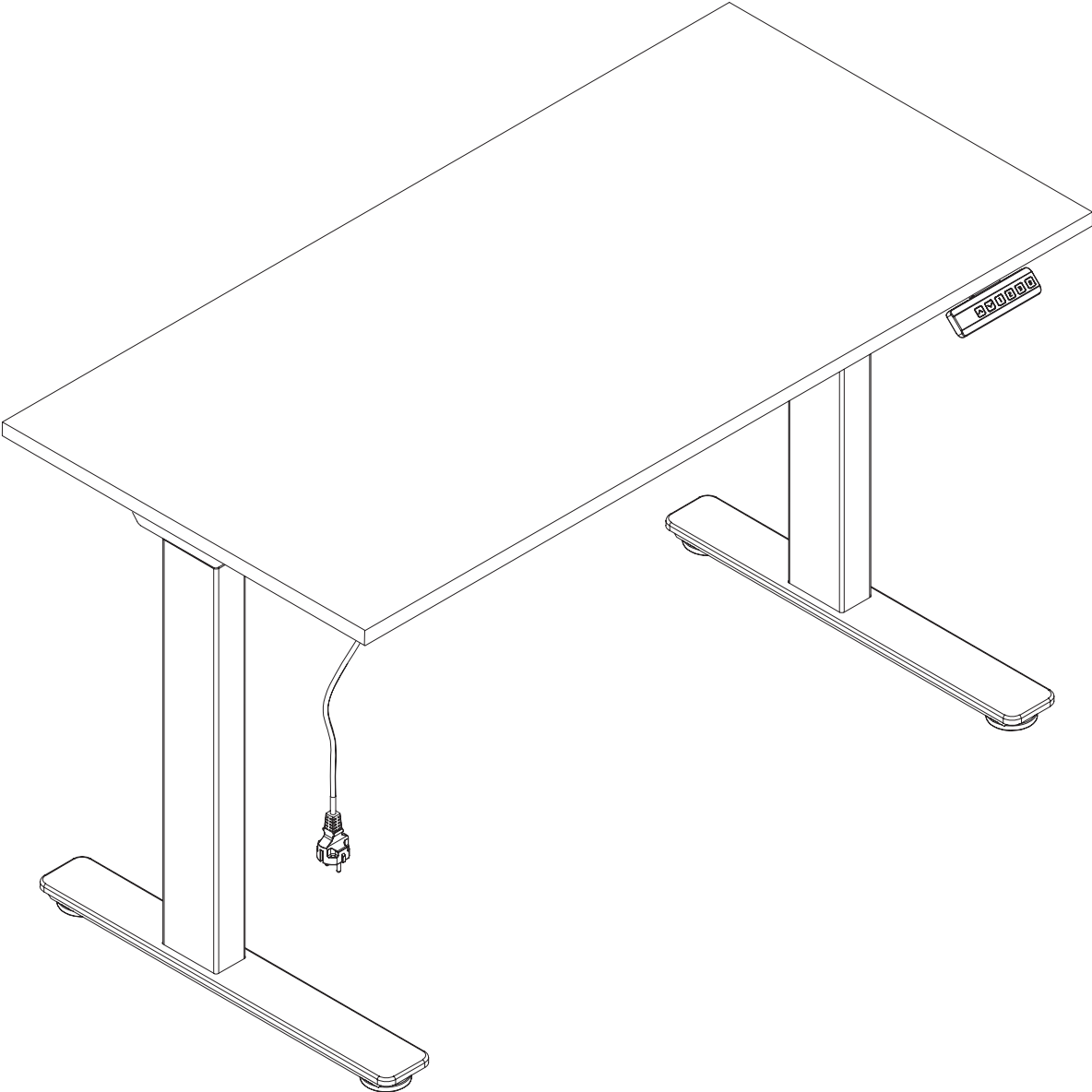
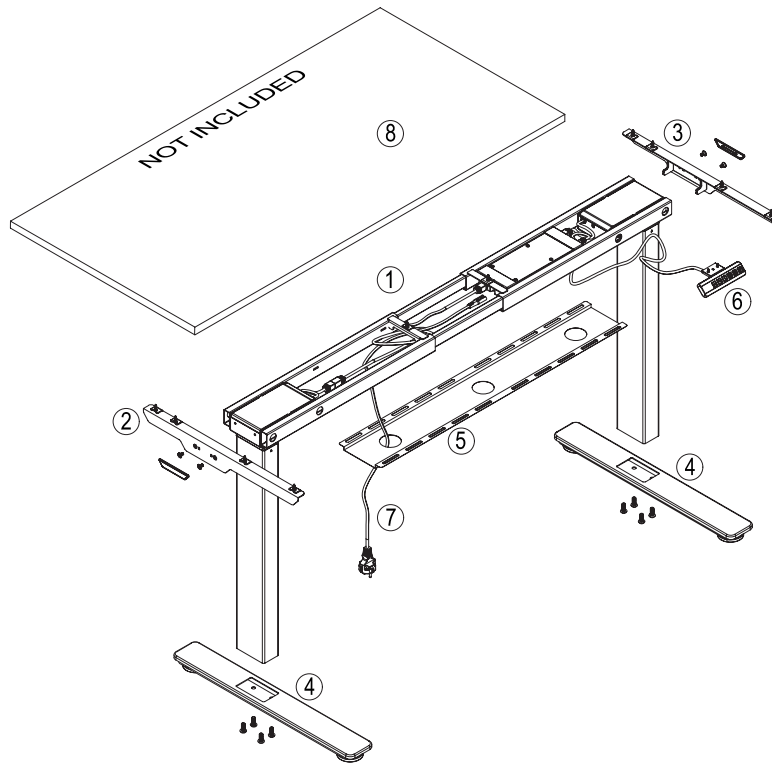


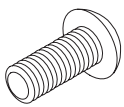

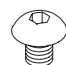




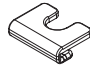
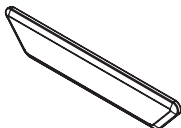
OTGHABASE3



EXPLODED VIEW

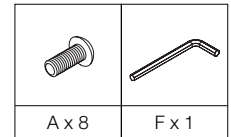
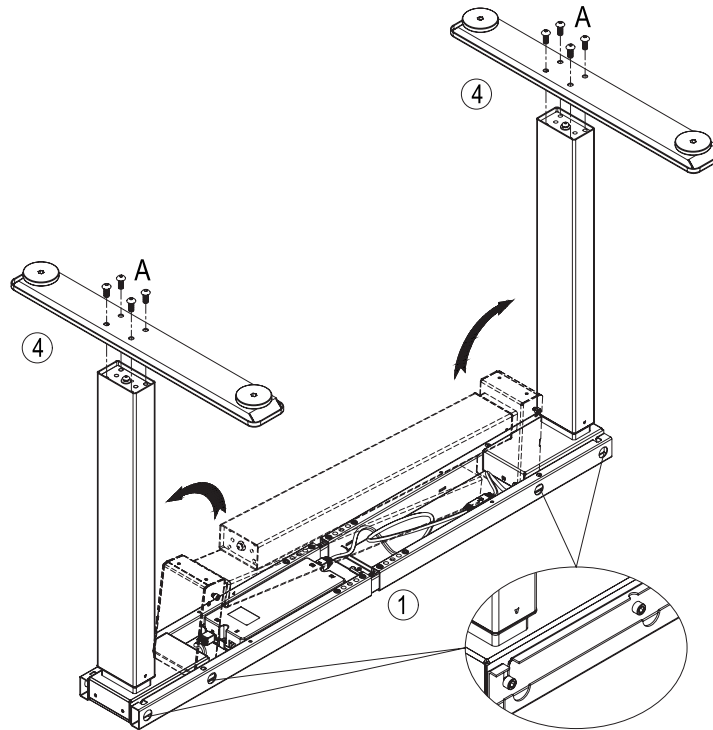


HARDWARE LIST

| | | | | |
|---|---|---|---|---|
|  |  |  |  |  |
| A x 8+2 (M8x20) | B x 4+2 (M6x10) | C x 4+2 (M6x8) | D x 10+2 (ST4.8 x 20) | E x 2+2 (ST3 x 19) |
|  |  |  |  | |
| F x 1 (5mm) | G x 1 (4mm) | H x 10+2 | I x 2 | |

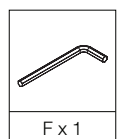
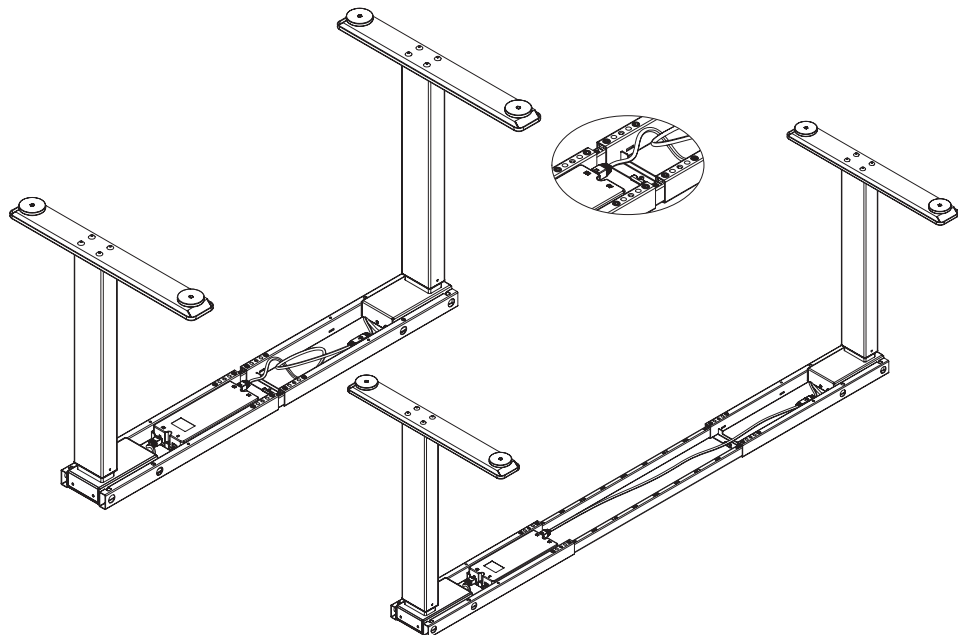
STEP 1 - Unfold legs + affix feet

- **Unfold legs. Once legs are upright, tighten the screws in the insets as shown below. Repeat on the opposite side.**
- **Affix feet with provided screws (Item A).**



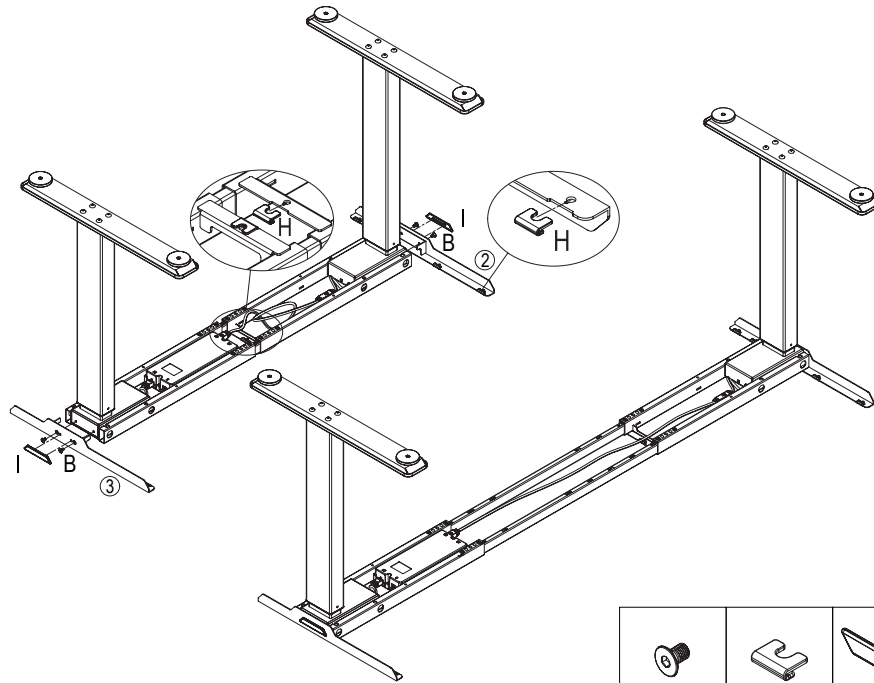
STEP 2 - Adjust frame width

- **Loosen screws on the beam and adjust to desired width (see inset at right).**
- **Loosen screws on one side, adjust width to desired dimension then tighten screws.**
- **Repeat on the opposite side.**
- **NOTE: The inset beam has dimension markers on it for ease of use.**



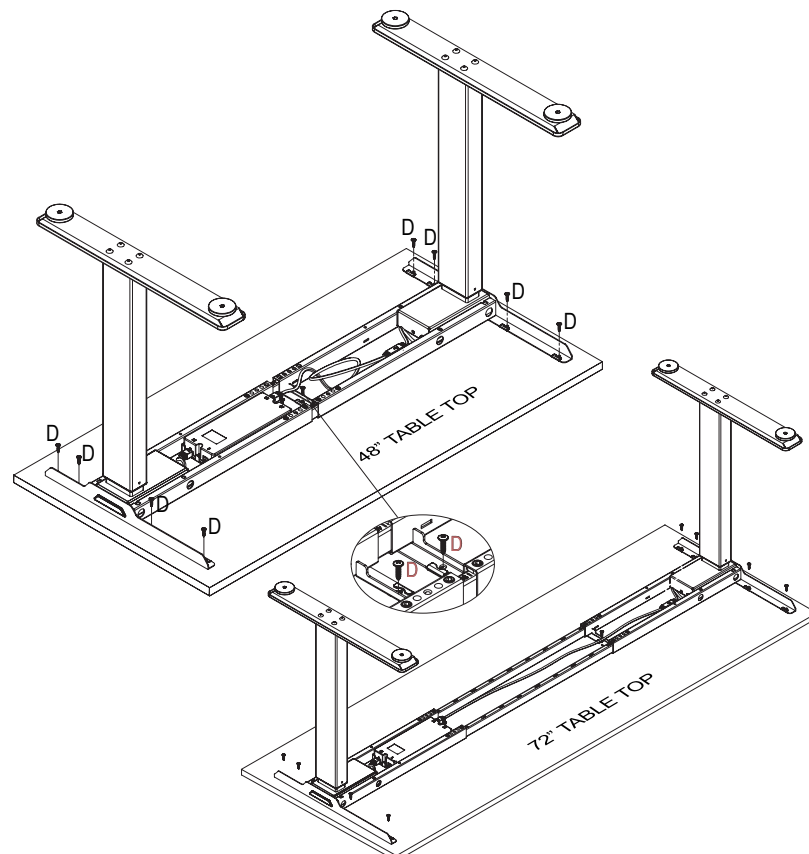
STEP 3 - Assemble brackets + insert spacers

- Plastic spacers (Item H) should be placed at all screw ports.
- Tighten all screws securely.



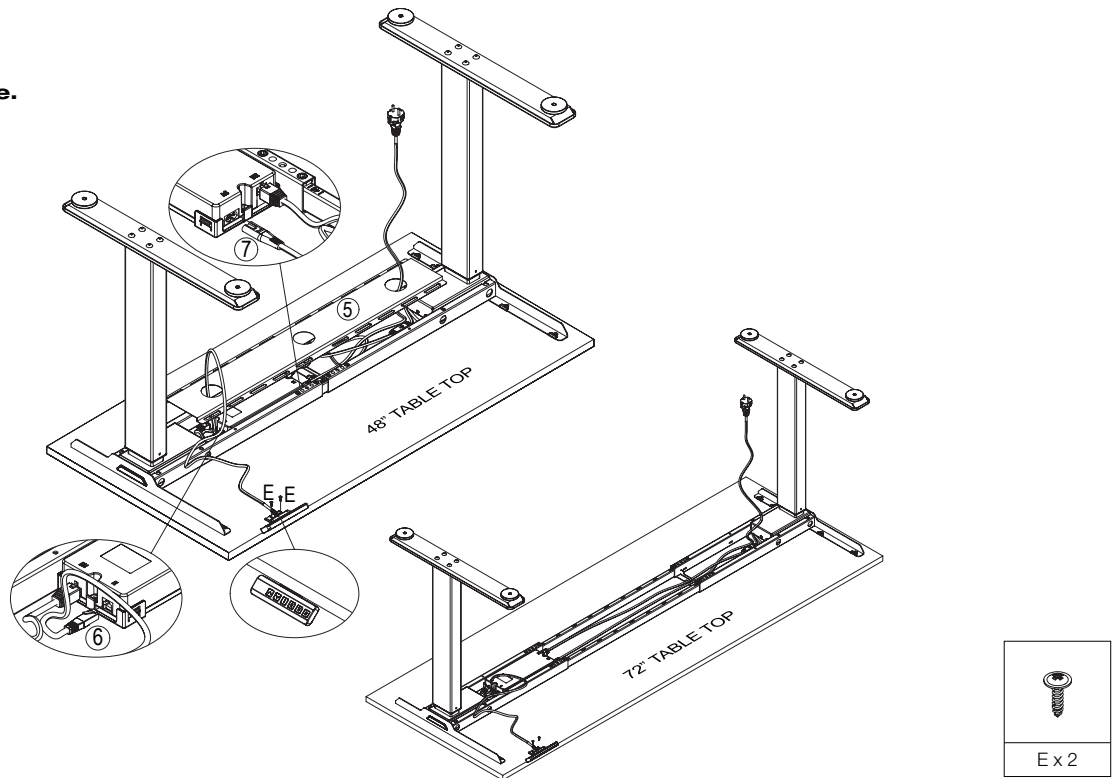
STEP 4 - Assemble table top

- Center frame (on all sides) on the bottom of the table top.
- Use screws (item D) to assemble base frame to the bottom of the table top.
- Tighten screws securely.
- **NOTE:** Table top should overhang base on the left and right side by a minimum of 1" and a maximum of 2.25".



STEP 5 - Assemble power supply + handset

- Ensure all connections between the control box, legs + handset are secure.
- Tighten screws securely.



STEP 6 - Assemble wire management cover

- On smaller tables, thread cables through the holes in the wire management cover before affixing with screws.
- Tighten screws securely.

