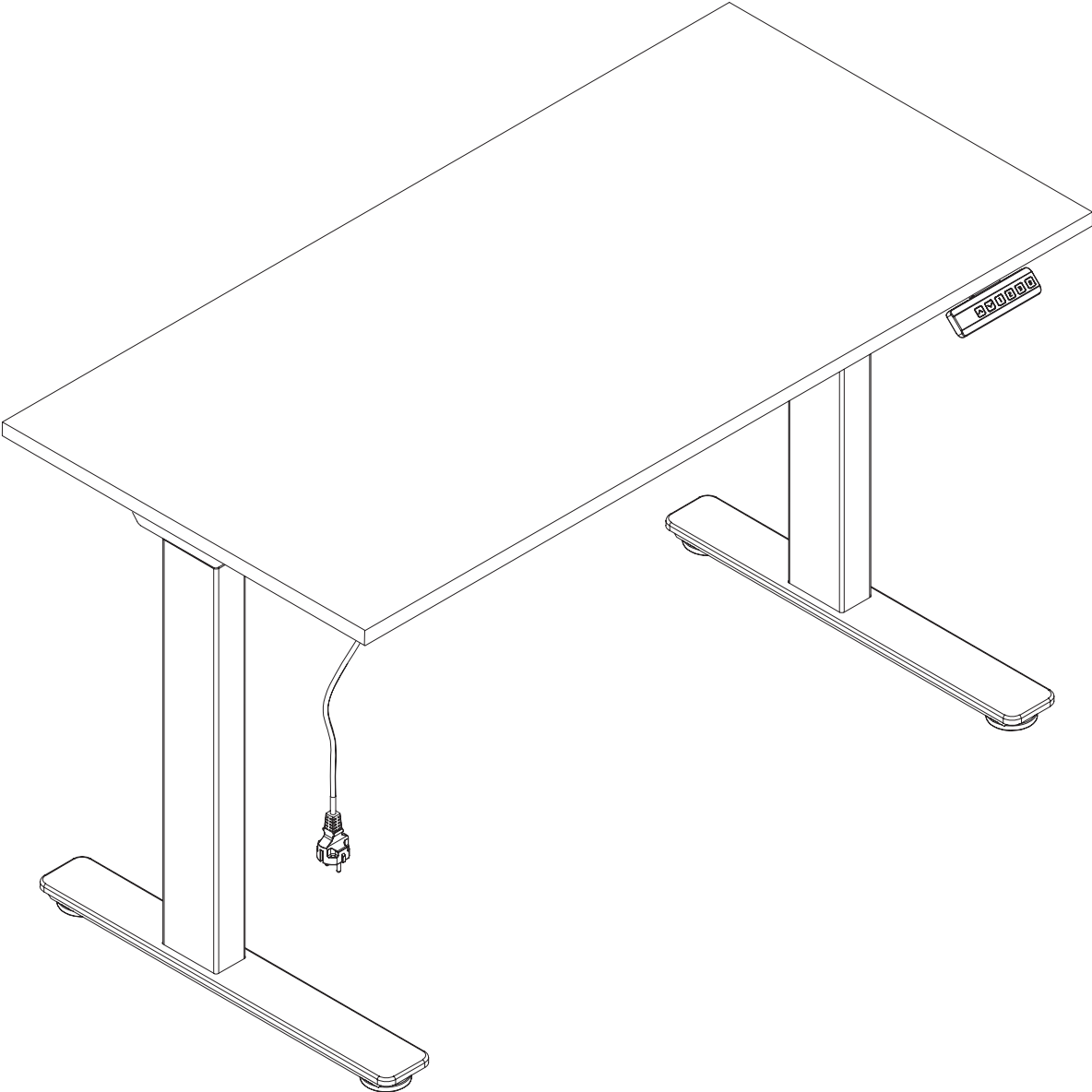
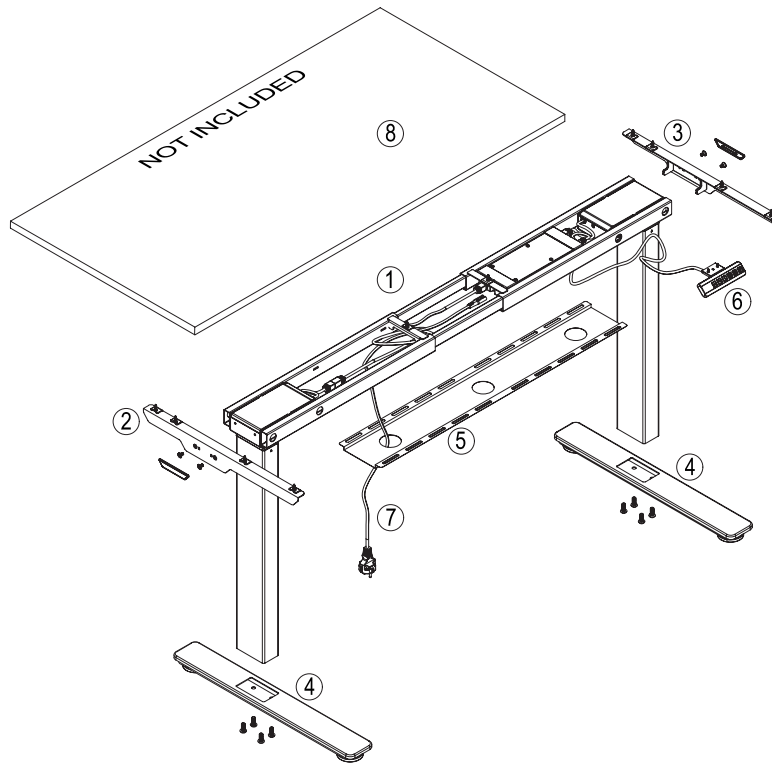


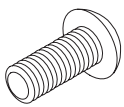

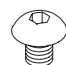




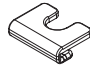
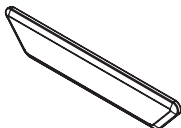
### OTGHABASE3



### EXPLODED VIEW

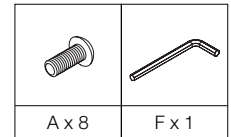
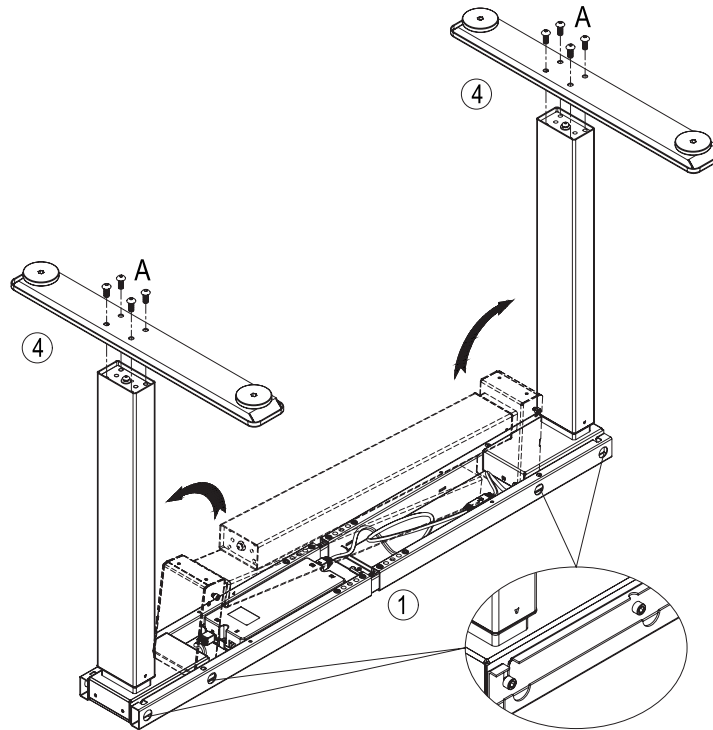


### HARDWARE LIST

				
<b>A x 8+2 (M8x20)</b>	<b>B x 4+2 (M6x10)</b>	<b>C x 4+2 (M6x8)</b>	<b>D x 10+2 (ST4.8 x 20)</b>	<b>E x 2+2 (ST3 x 19)</b>
				
<b>F x 1 (5mm)</b>	<b>G x 1 (4mm)</b>	<b>H x 10+2</b>	<b>I x 2</b>	

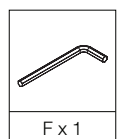
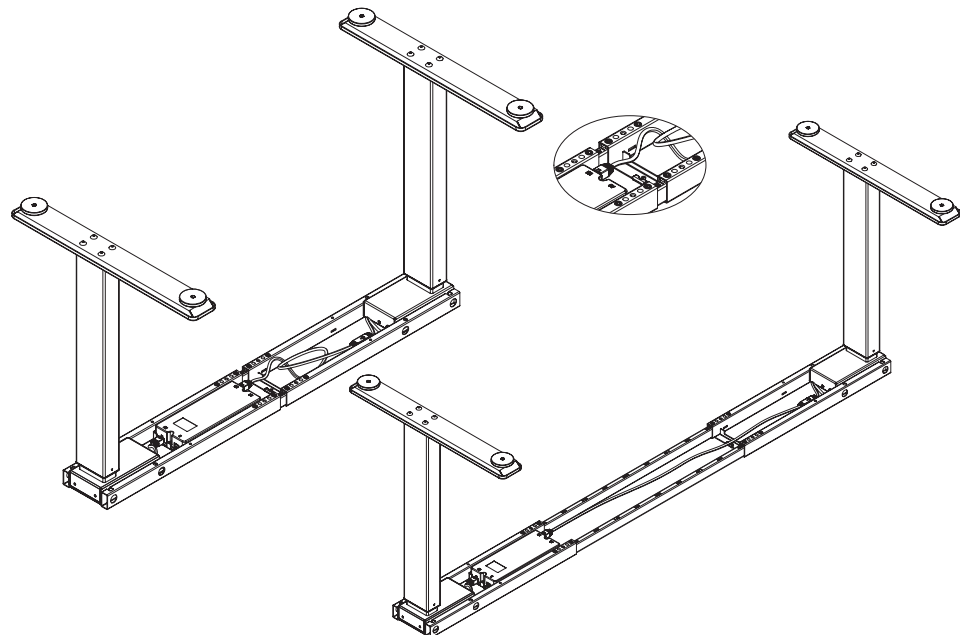
### STEP 1 - Unfold legs + affix feet

- Before unfolding legs, loosen (but do not remove) screws as shown in the inset below.
- Once legs are upright, tighten the screws.
- Affix feet with provided screws (Item A).



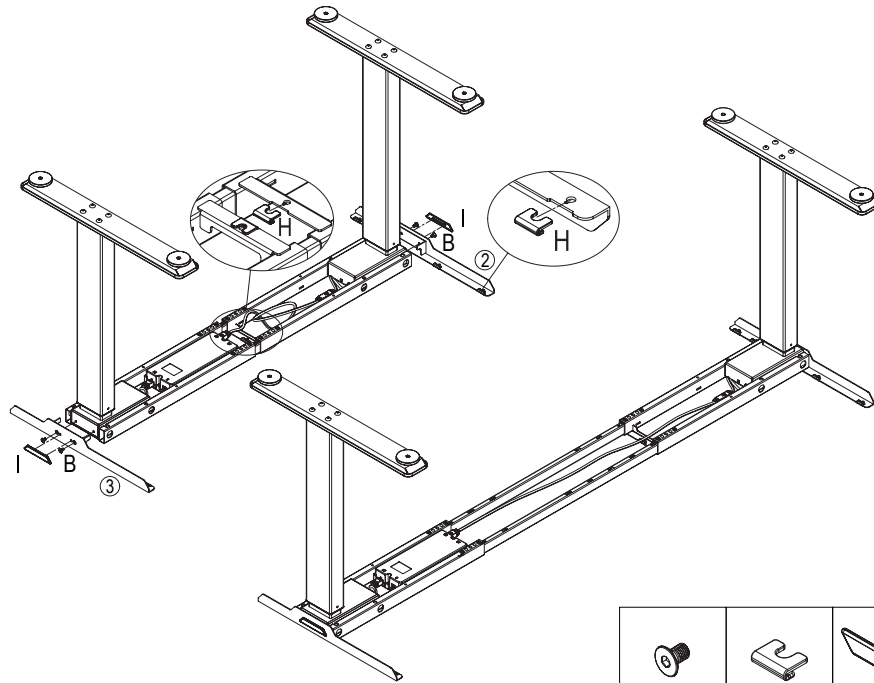
### STEP 2 - Adjust frame width

- Loosen screws on the beam and adjust to desired width (see inset at right).
- Loosen screws on one side, adjust width to desired dimension then tighten screws.
- Repeat on the opposite side.
- **NOTE:** The inset beam has dimension markers on it for ease of use.



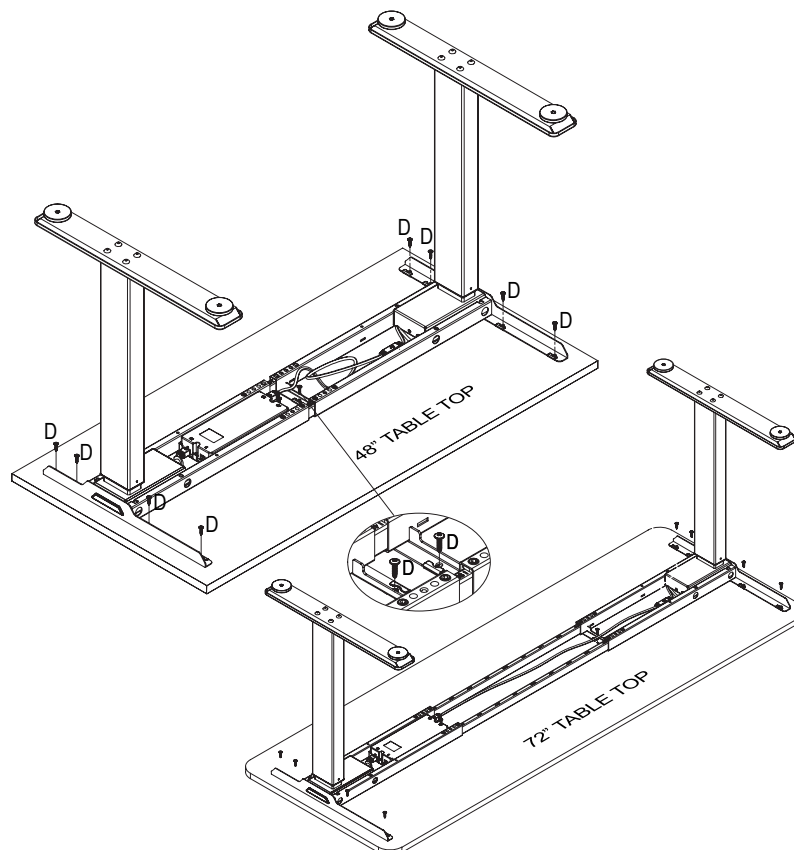
### STEP 3 - Assemble brackets + insert spacers

- Plastic spacers (Item H) should be placed at all screw ports.
- Tighten all screws securely.



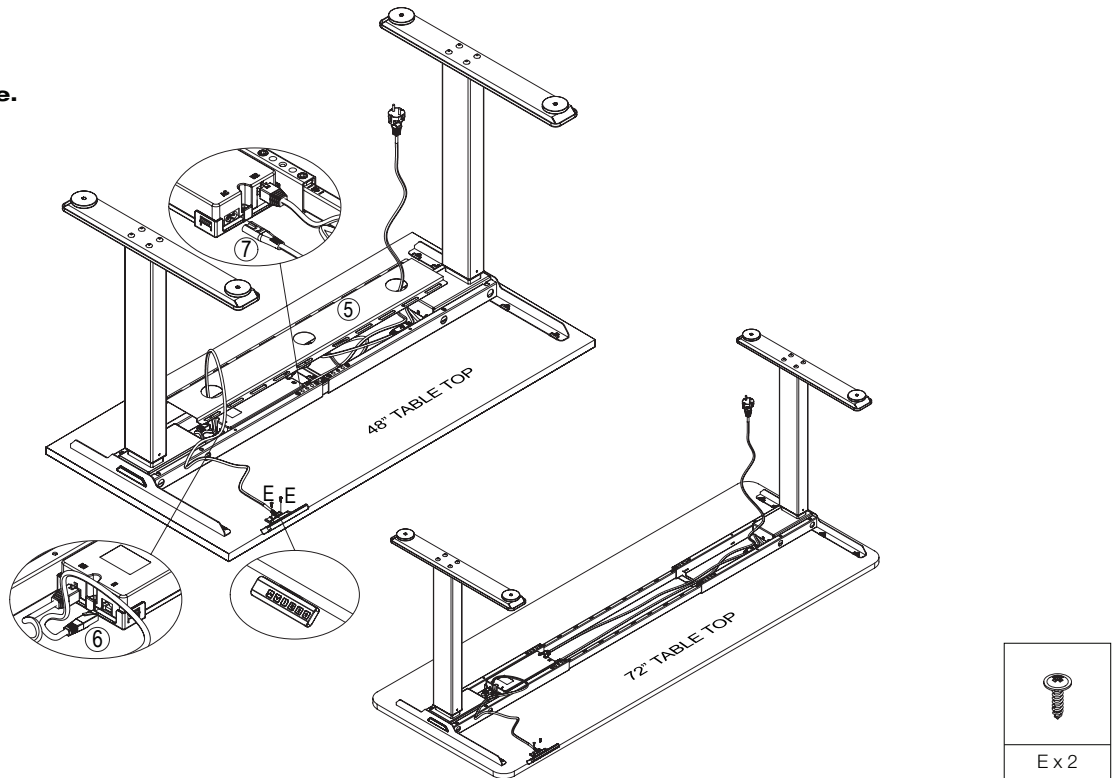
### STEP 4 - Assemble table top

- Center frame (on all sides) on the bottom of the table top.
- Use screws (item D) to assemble base frame to the bottom of the table top.
- Tighten screws securely.
- **NOTE:** Table top should overhang base on the left and right side by a minimum of 1" and a maximum of 2.25".



### STEP 5 - Assemble power supply + handset

- Ensure all connections between the control box, legs + handset are secure.
- Tighten screws securely.



### STEP 6 - Assemble wire management cover

- On smaller tables, thread cables through the holes in the wire management cover before affixing with screws.
- Tighten screws securely.

