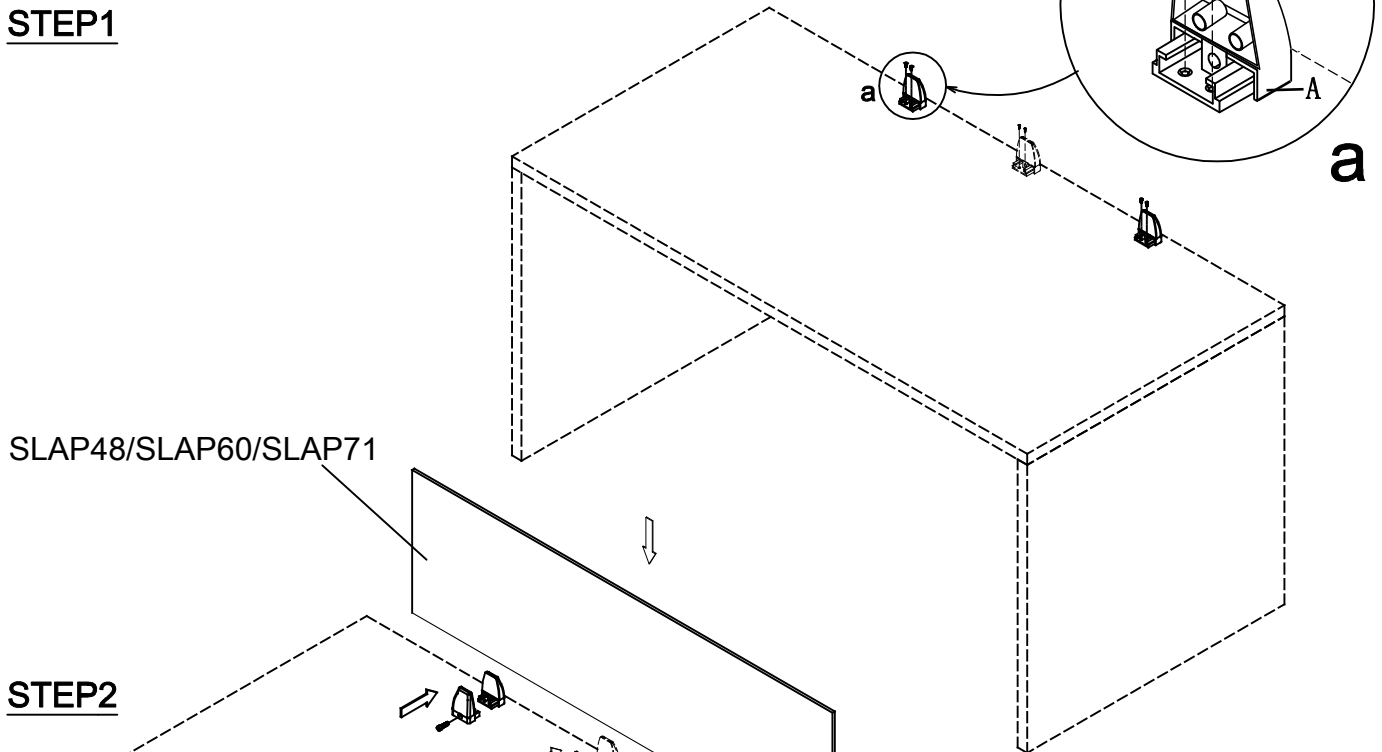
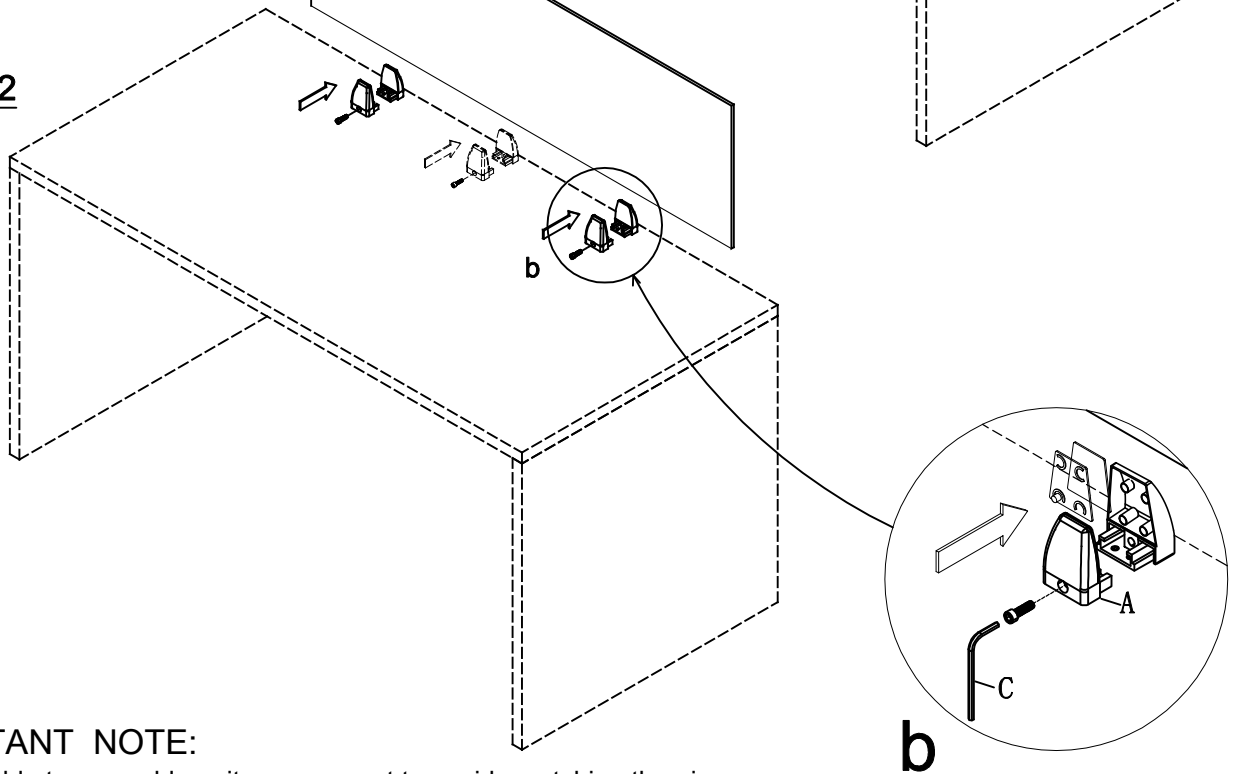


SLAP48: 2 Individual Clamps required per panel  
 SLAP60: 3 Individual Clamps required per panel  
 SLAP71: 3 Individual Clamps required per panel

### STEP 1



### STEP 2



### IMPORTANT NOTE:

- It is advisable to assemble units on a carpet to avoid scratching the piece.
- Check to be sure you have all the parts and hardware.
- Don't tighten all screws/bolts until the item is completely assembled.
- Assembly requires two people.