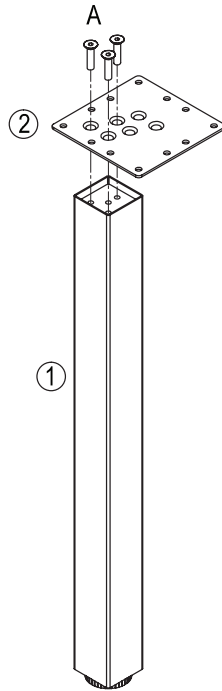


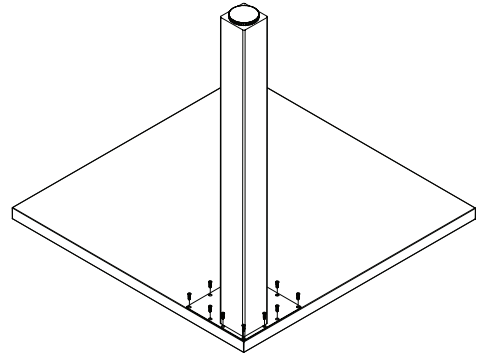
### Option 1: Corner Leg Configuration

**STEP 1 - Attach mounting plate to post**

\* Tighten all screws before proceeding



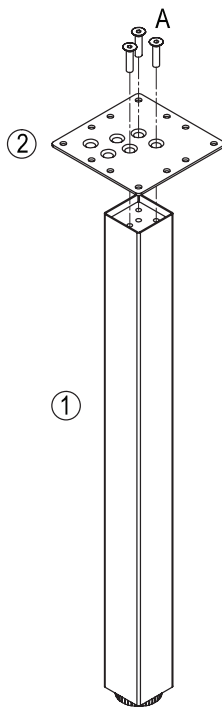
**STEP 2 - Attach post to surface corner**



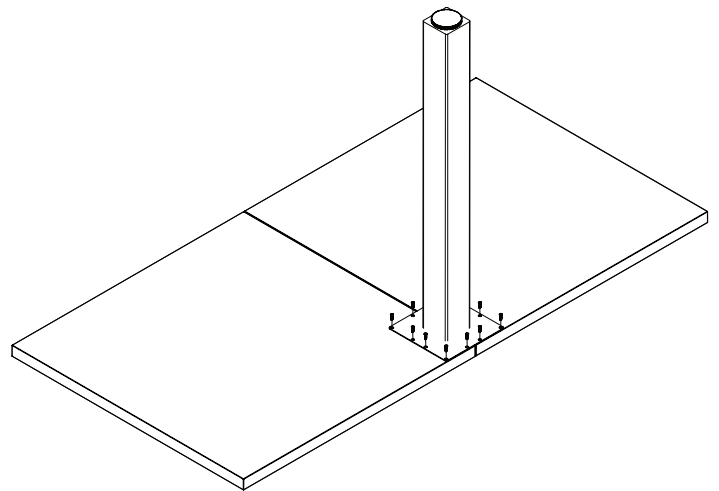
### Option 2: Shared Leg Configuration

**STEP 1 - Attach mounting plate to post**




\* Tighten all screws before proceeding



**STEP 2 - Attach post to shared surfaces**



#### HARDWARE LIST

		
Ax3+1 (M8x25)	Bx12+2 (ST4.8*20)	C X1 (5mm)