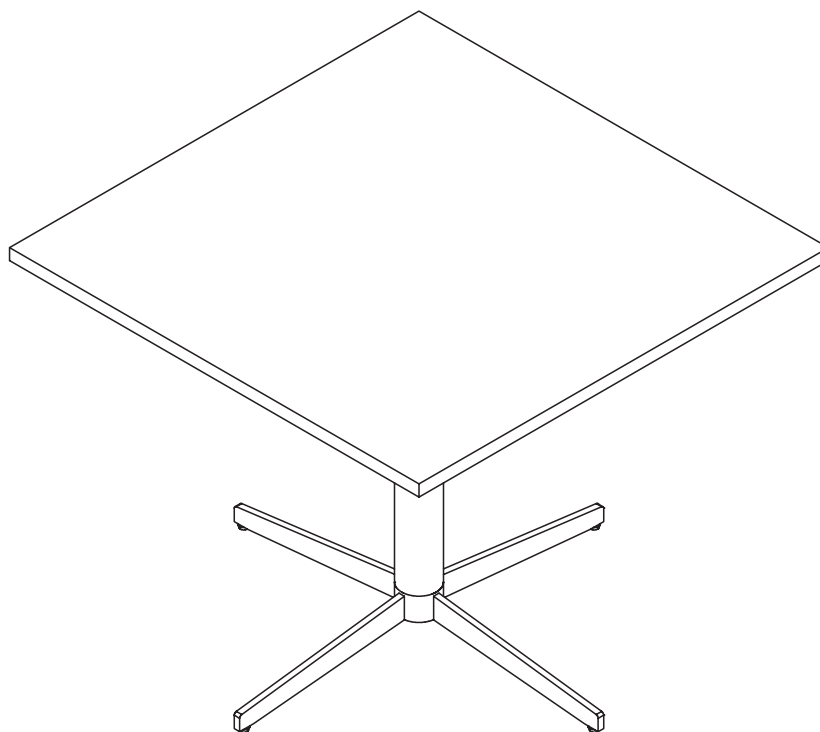
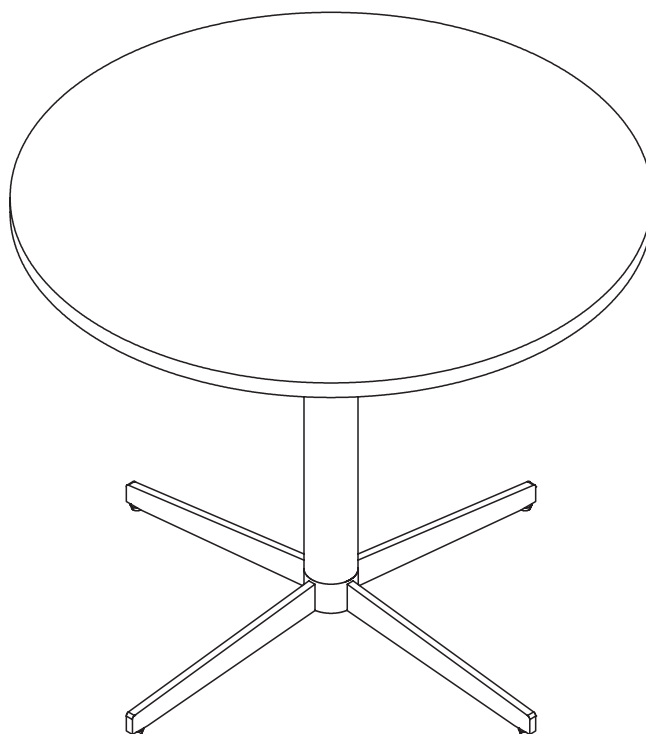
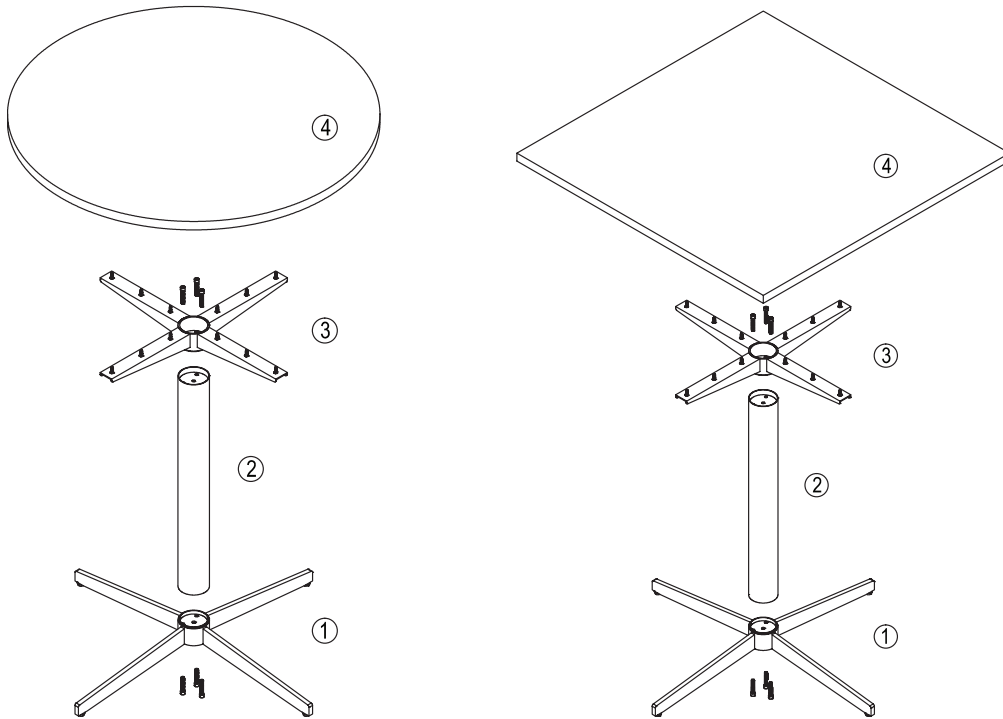




OTGXTB3642 / OTGXTB48
For use with Offices to Go square and round tops.



EXPLODED VIEW

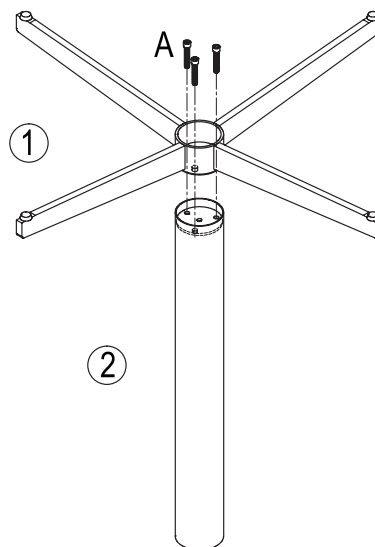




HARDWARE LIST

		
A x 6 (M8x45)	B x 14 (ST4.8"20)	C x 1 (6mm)

STEP 1 - Attach Base to Post

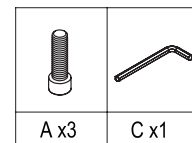
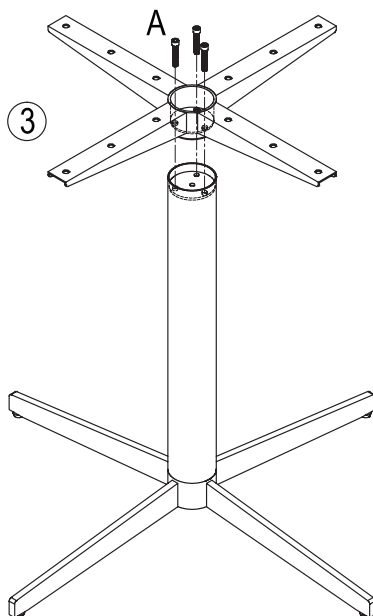
- Tighten all screws before continuing to next step.



	
A x 3	C x 1

STEP 2 - Attach Mounting Bracket to Post

- Tighten all screws before continuing to next step.



STEP 3 - Attach Table Base to Top

- Center base on surface and affix with wood screws (Screw B, provided with base)

