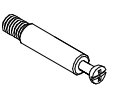

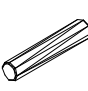
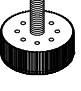
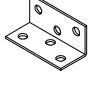
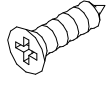
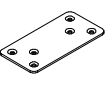

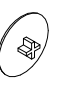

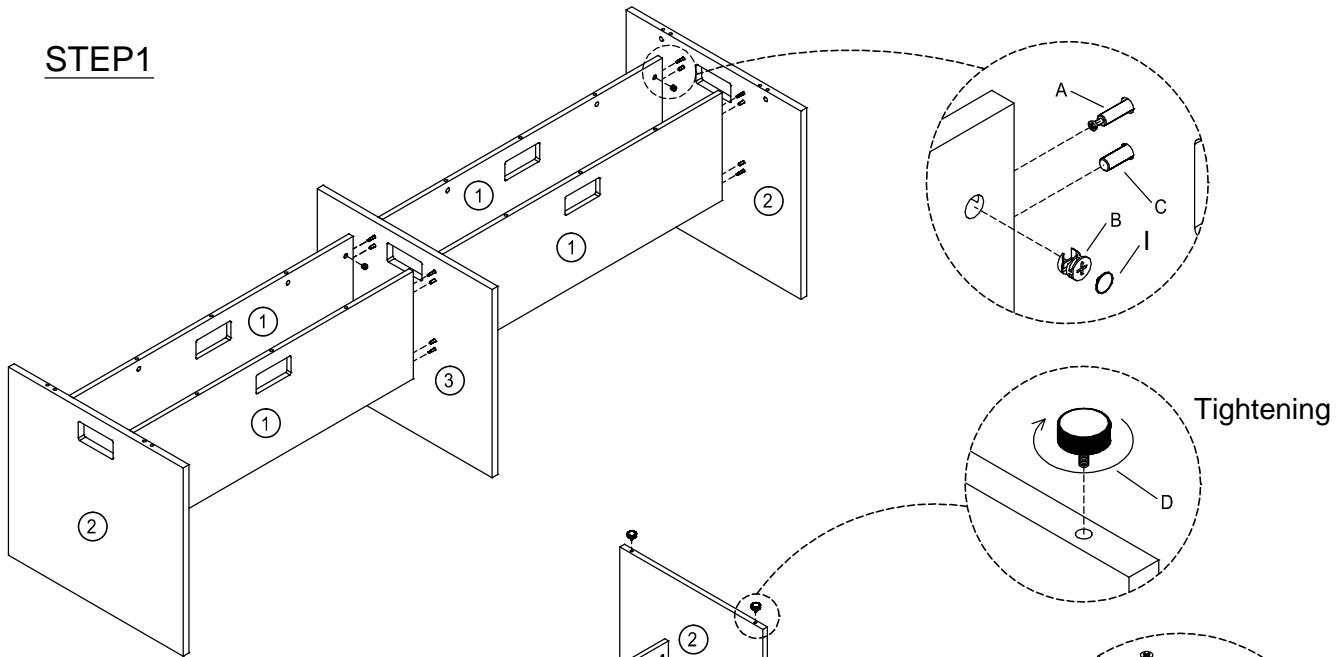
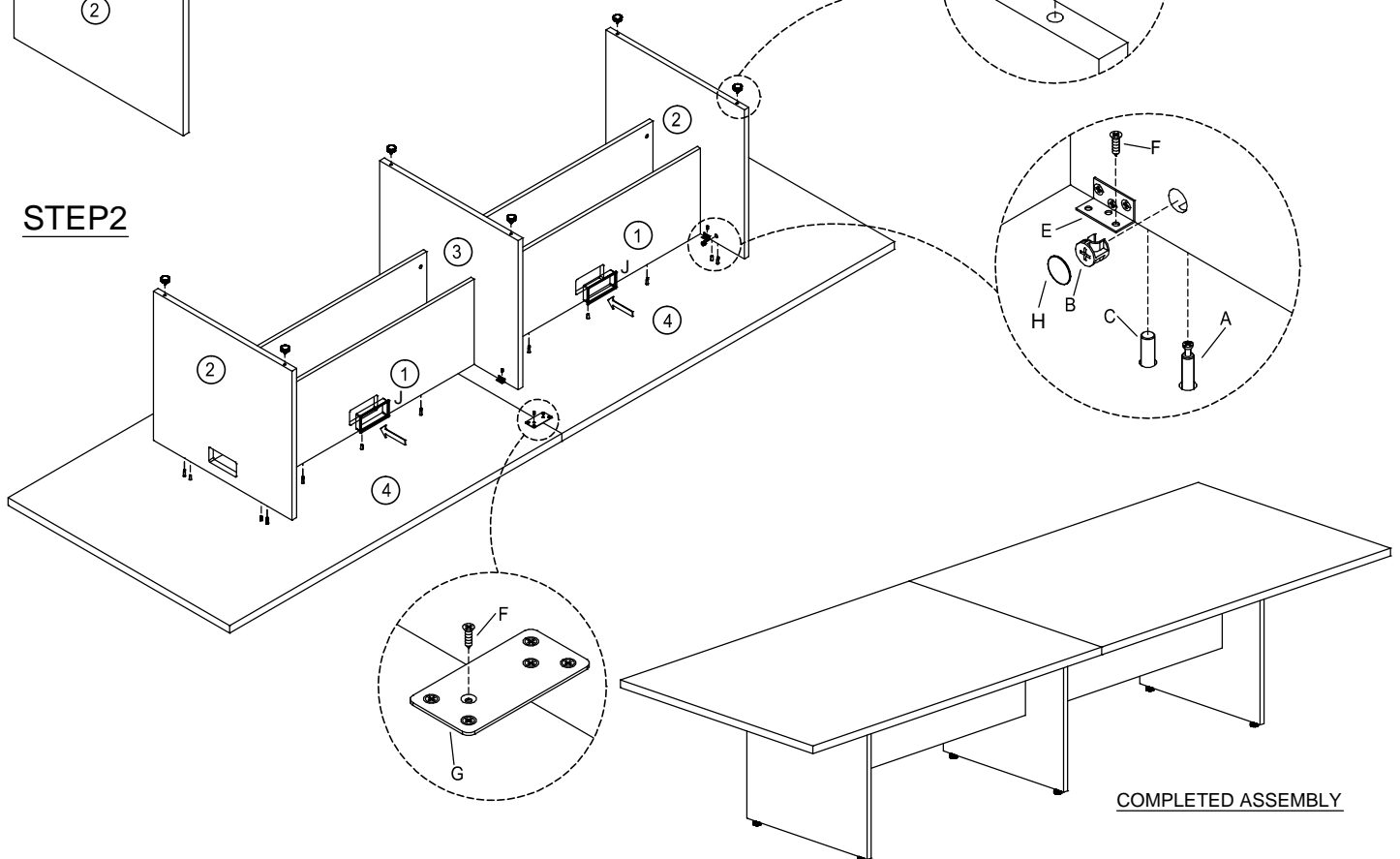


<b>A</b>		<b>B</b>		<b>C</b>		<b>D</b>		<b>E</b>		<b>F</b>		<b>G</b>		<b>H</b>		<b>I</b>		<b>J</b>	
	Cam Lock Pin 28+2Pcs		Cam Lock 28+2Pcs		Dowel 24+2Pcs		Glide 6Pcs		L-Bracket 6Pcs		Screw #4*5/8" 48+5Pcs		I-Bracket 2Pcs		Deep Camlock cap 4+2Pcs		Camlock cap 24+2Pcs		Grommet 6Pcs

**STEP1**



**STEP2**



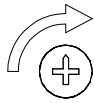
**COMPLETED ASSEMBLY**

**IMPORTANT NOTE:**

- It is advisable to assemble units on a carpet to avoid scratching the piece.
- Check to be sure you have all the parts and hardware.
- Don't tighten all screws/bolts until the item is completely assembled.
- Assembly requires two people.

**IMPORTANT:**

**FUNCTION OF CAM**



1/4 RIGHT  
TURN FOR  
LOCKING

MAKE SURE THE ARROW IS POINTING UPWARDS  
BEFORE INSERTING INTO THE PANEL'S HOLE.