








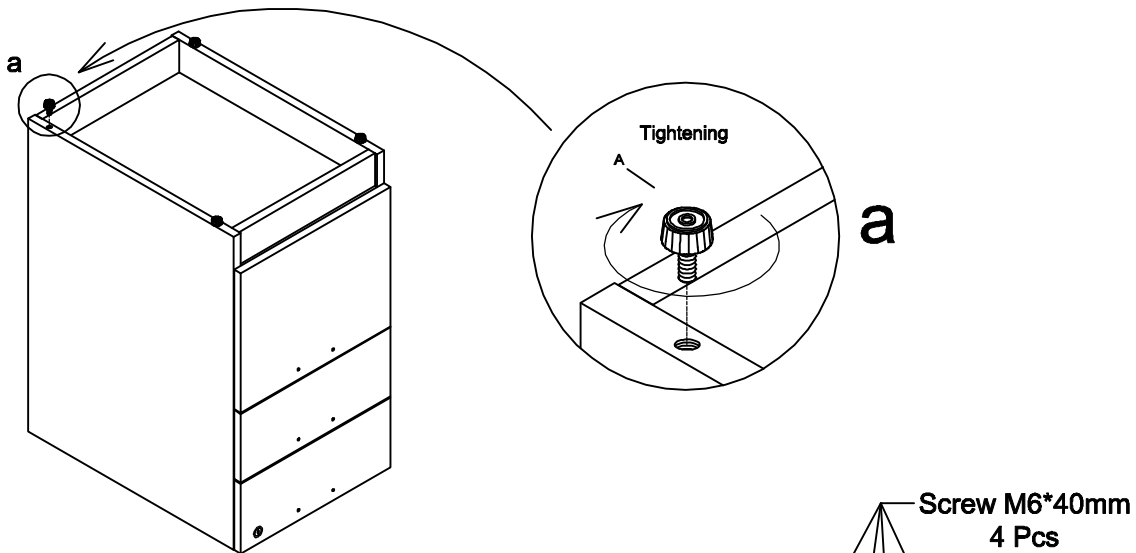


# Assembly Instructions MODEL NO.:SL22BBF BOX/FILE PEDESTAL

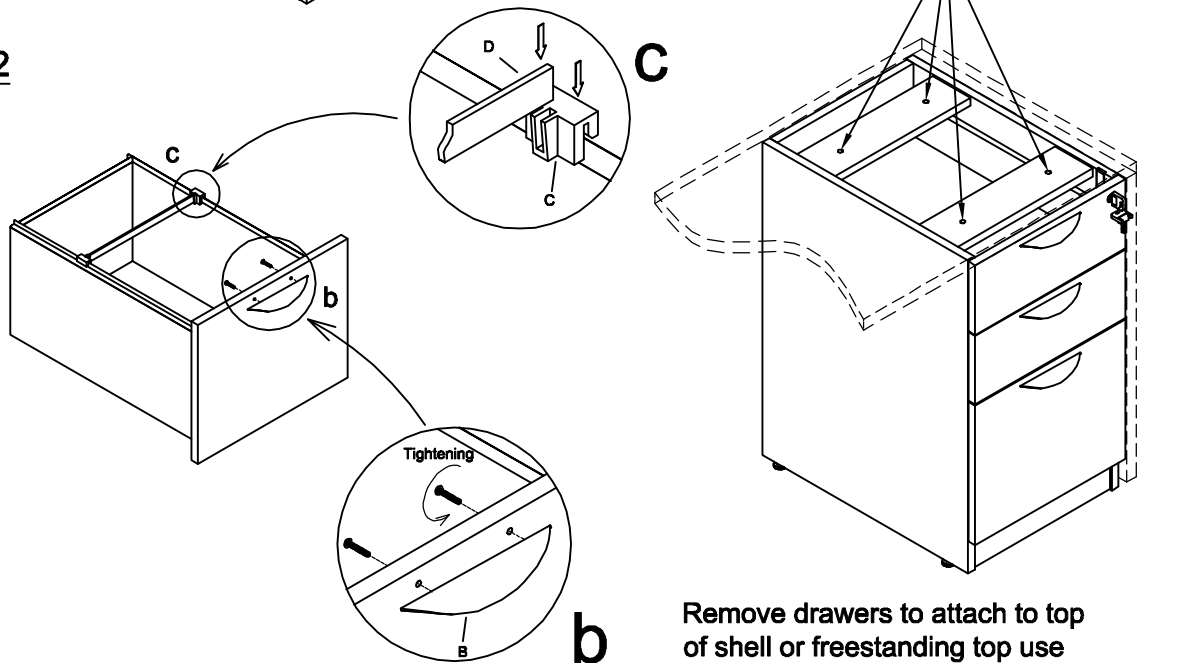
LO2/02-09

| GLIDE  | HANDLE   | TUN001FC   | TUN002AB   | KEYS   | TUN027SC   | WOOD SCREW   |
|--|--|--|--|--|--|--|
| <b>A</b><br><br>Glide<br>4Pcs | <b>B</b><br><br>96mm<br>Metal Handle<br>3Sets | <b>C</b><br><br>File Clip<br>2Pcs | <b>D</b><br><br>300*15*3mm<br>Aluminium Bar<br>1Pcs | <b>E</b><br><br>Keys<br>1Set | <b>F</b><br><br>Screw M6*40mm<br>4Pcs | <b>G</b><br><br>Screw #4.5*35<br>4Pcs |

## STEP1



## STEP2



Remove drawers to attach to top of shell or freestanding top use 4(F) M6\*40mm screws provided

### IMPORTANT NOTE:

- It is advisable to assemble unit on a carpet to avoid scratch.
- Check to be sure that you have all parts and hardware.
- Don't tighten all screws/bolts until all completely assembled.
- It is recommended to require 2 persons to complete the assembling.
- Pedestals are not freestanding; most gang to other units or are bracketed to a wall.

Use wood screws (G) M4.5\*35mm provided to attach pedestal to end panel.