



Assembly Instructions MODEL NO.:

SL4824R, SL4224R, SL3624R, SL3024R
RETURN-REVERSIBLE

LO2/02-09

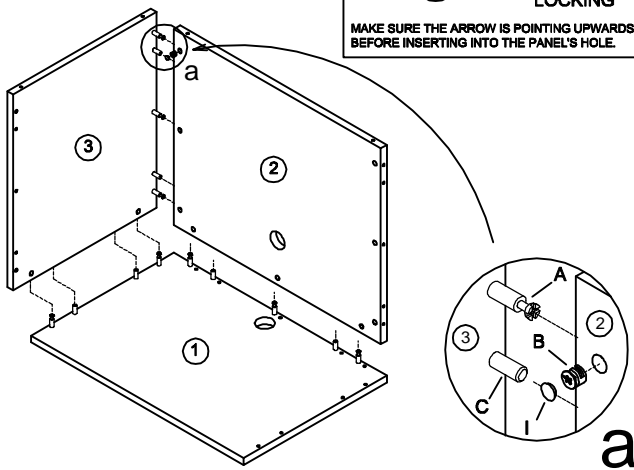
CONC10	CONC11	DOWEL	GLIDE	TUN013LB	TUN018SC	TUN015BG	TUN0191B	PLASTIC CAP	PLUG
A Cam Lock Pin 7Pcs+2Pcs	B Cam Lock 7Pcs+2Pcs	C Dowel 5Pcs+1Pcs	D Glide 4Pcs	E L-Bracket 4Pcs	F Screw #4*1/2 42Pcs+5Pcs	G Grommet 2Pcs	H Flat Bracket 3Pcs	I DEEP CAMLOCK CAP 10Pcs+2Pcs	J CAP FOR DOWEL HOLES 2Pcs

PLUG
K CAP FOR METAL INSERT 3Pcs

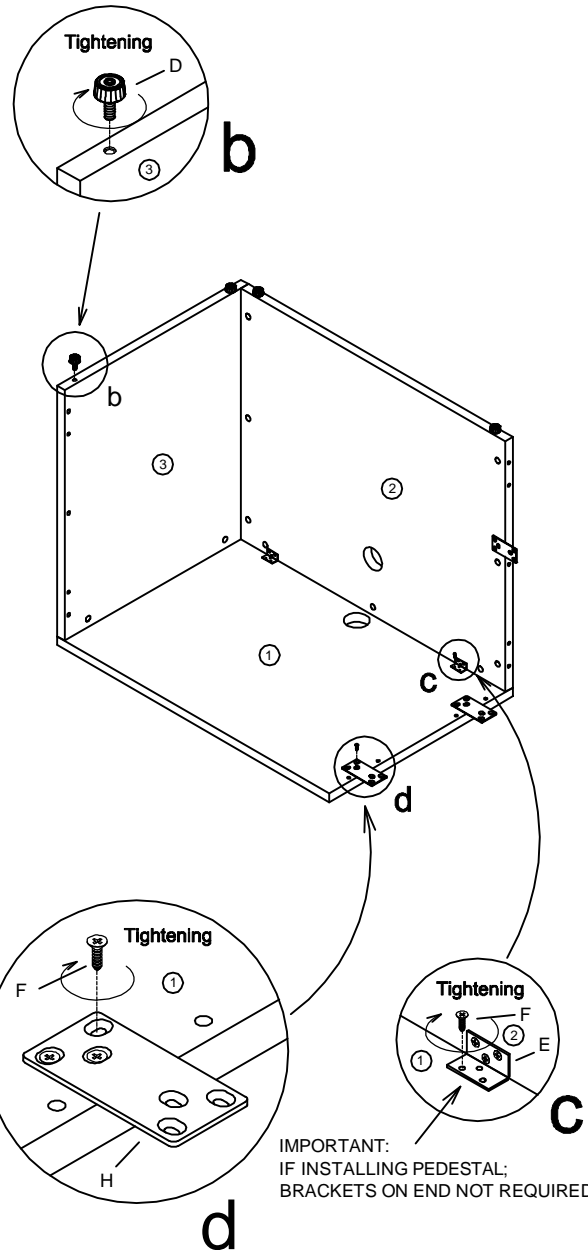
STEP1

IMPORTANT:
FUNCTION OF CAM

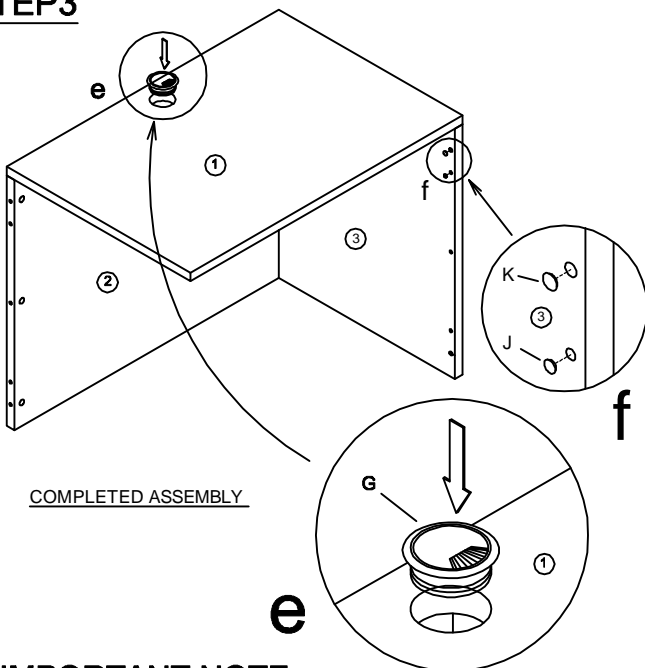
1/4 RIGHT TURN FOR LOCKING
MAKE SURE THE ARROW IS POINTING UPWARDS BEFORE INSERTING INTO THE PANEL'S HOLE.



STEP2



STEP3



IMPORTANT:
IF INSTALLING PEDESTAL;
BRACKETS ON END NOT REQUIRED.

IMPORTANT NOTE:

- It is advisable to assemble unit on a carpet to avoid scratch.
- Check to be sure that you have all parts and hardware.
- Don't tighten all screws/bolts until all completely assembled.
- It is recommended to require 2 persons to complete the assembling.