











Assembly Instructions

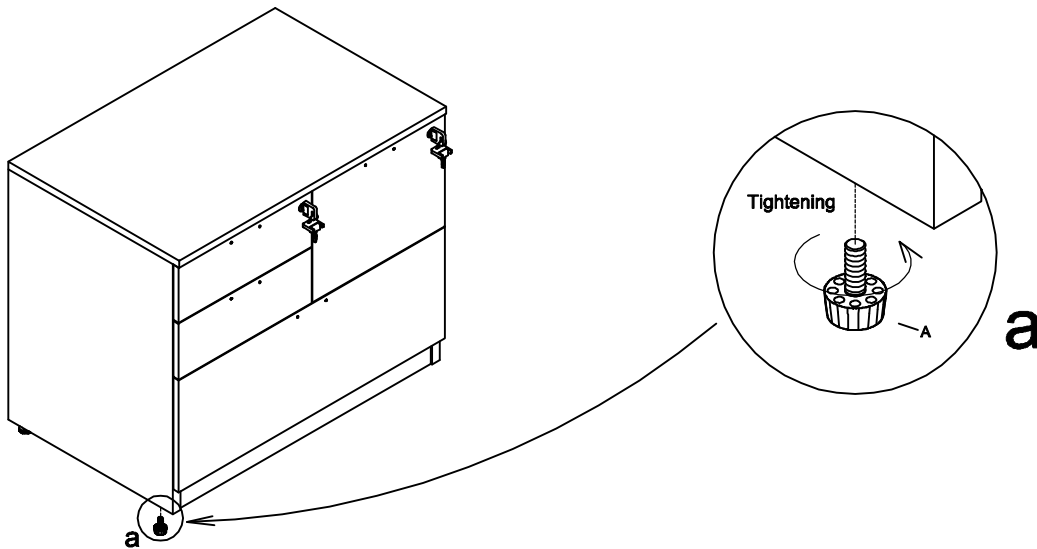
MODEL NO.:SL3622MSF

4 DRAWER LATERAL FILE

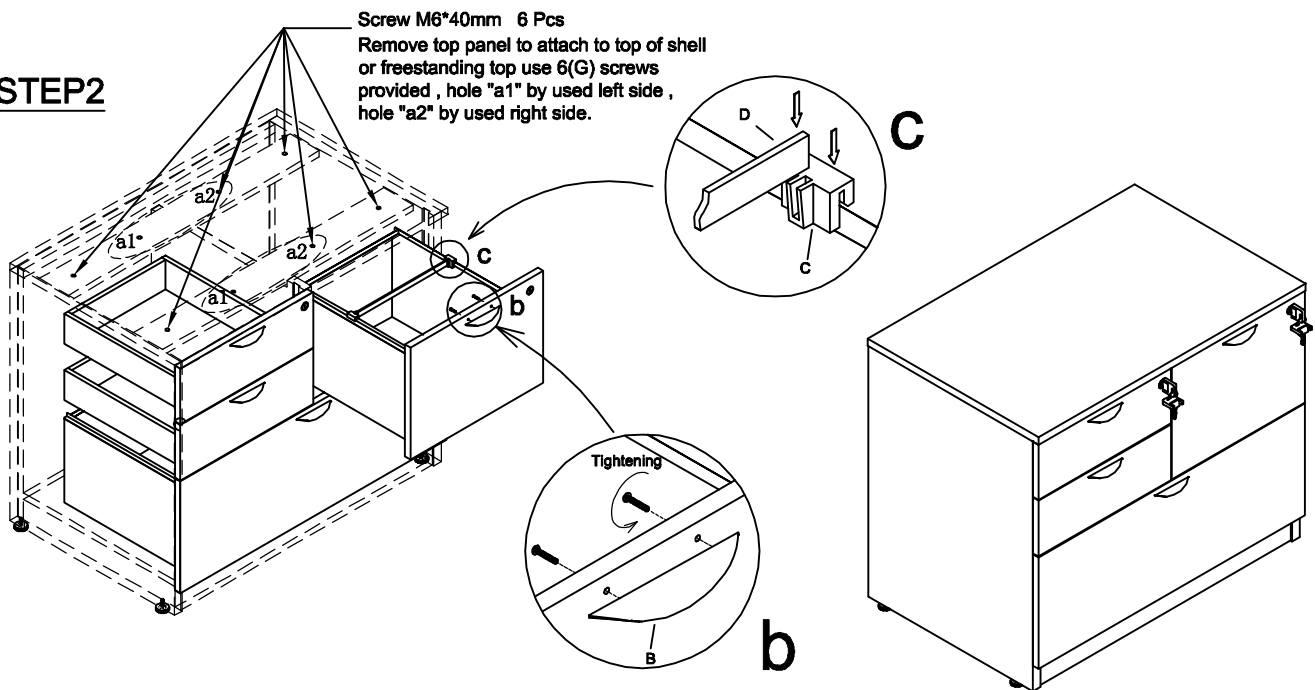
LO2/02-09

GLIDE	HANDLE	TUN001FC	SHORT LF BAR	SHORT LF BAR	LONG LF BAR	TUN027SC	KEYS
A  Glide 4Pcs	B  96mm Metal Handle 4Sets	C  File Clip 6Pcs	D  354*15*3mm Aluminium Bar 1Pcs	E  378*15*3mm Aluminium Bar 2Pcs	F  792*15*3mm Aluminium Bar 1Pcs	G  Screw M6*40mm 6Pcs	 Keys 2Set

STEP1



STEP2



COMPLETELY ASSEMBLED

IMPORTANT NOTE:

- It is advisable to assemble unit on a carpet to avoid scratch.
- Check to be sure that you have all parts and hardware.
- Don't tighten all screws/bolts until all completely assembled.
- It is recommended to require 2 persons to complete the assembling.