












Assembly Instructions MODEL NO.: SL4220R , SL4820R RETURN-REVERSIBLE

LO2/10-19

CONC10	CONC11	DOWEL	GLIDE	TUN013LB	TUN018SC	TUN015BG	TUN0191B	PLASTIC CAP	PLUG
A  Cam Lock Pin 7Pcs+2Pcs	B  Cam Lock 7Pcs+2Pcs	C  Dowel 5Pcs+1Pcs	D  Glide 4Pcs	E  L-Bracket 4Pcs	F  Screw #4*1/2 42Pcs+5Pcs	G  Grommet 2Pcs	H  Flat Bracket 3Pcs	I  DEEP CAMLOCK CAP 10Pcs+2Pcs	J  CAP FOR DOWEL HOLES 2Pcs

K  CAP FOR METAL INSERT 3Pcs

STEP 1

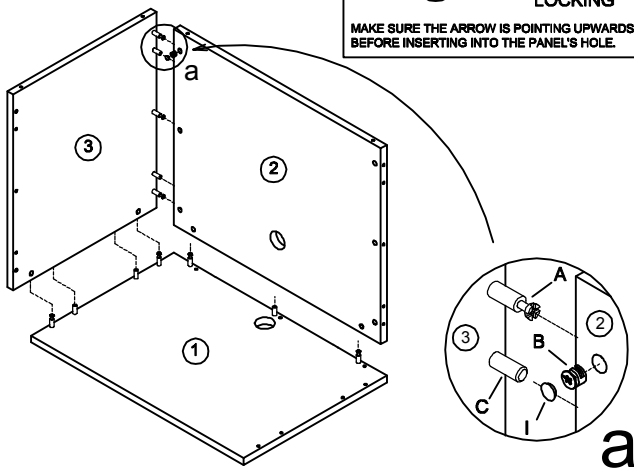
IMPORTANT:

FUNCTION OF CAM

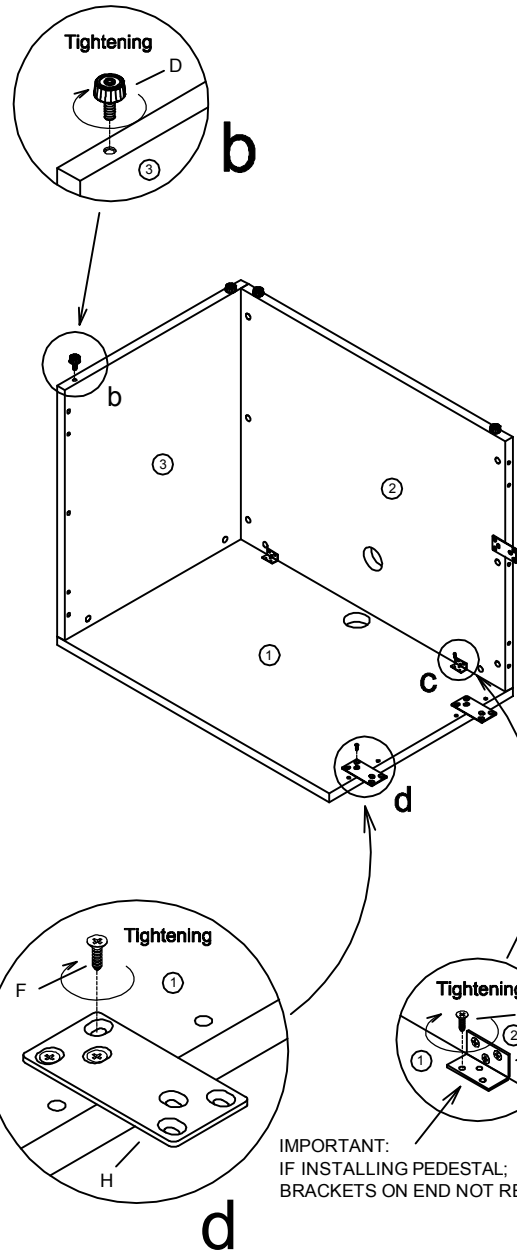


1/4 RIGHT TURN FOR LOCKING

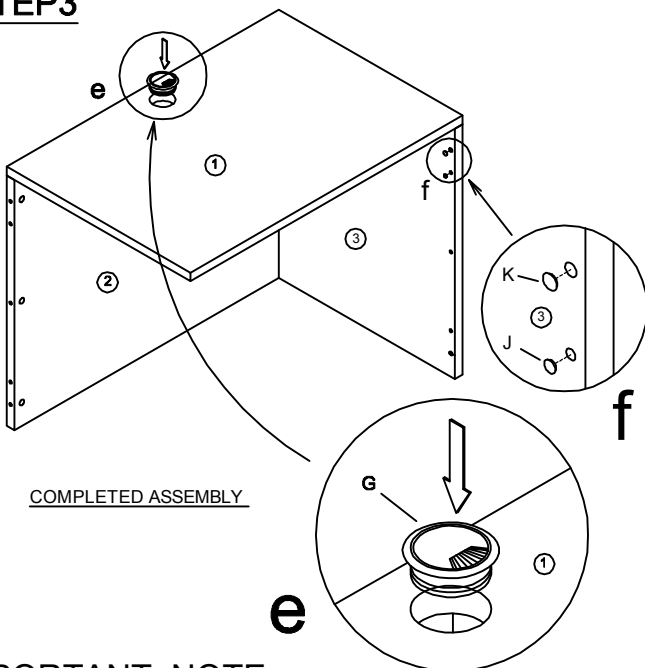
MAKE SURE THE ARROW IS POINTING UPWARDS BEFORE INSERTING INTO THE PANEL'S HOLE.



STEP 2



STEP 3



IMPORTANT:
IF INSTALLING PEDESTAL;
BRACKETS ON END NOT REQUIRED.

IMPORTANT NOTE:

- It is advisable to assemble units on a carpet to avoid scratching the piece.
- Check to be sure you have all the parts and hardware.
- Don't tighten all screws/bolts until the item is completely assembled.
- Assembly requires two people.