



Assembly Instructions

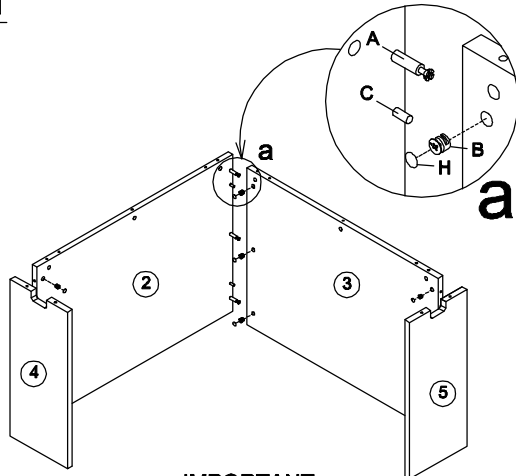
MODEL NO.:SL42425C

Five Sided Corner

LO2/06-13

CONC10	CONC11	DOWEL	GLIDE	TUN013LB	TUN018SC	TUN015BG	PLASTIC CAP	PLUG	PLUG
A Cam Lock Pin 19Pcs+2Pcs	B Cam Lock 19Pcs+2Pcs	C Dowel 10Pcs+2Pcs	D Glide 8Pcs	E L-Bracket 4Pcs	F Screw #4*1/2" 24Pcs+4Pcs	G Grommet 1Pcs	H PLASTIC CAP 19Pcs+2Pcs	I CAP FOR METAL INSERT 6+2Pcs	J CAP FOR DOWEL HOLES 4+2Pcs

STEP1



IMPORTANT:

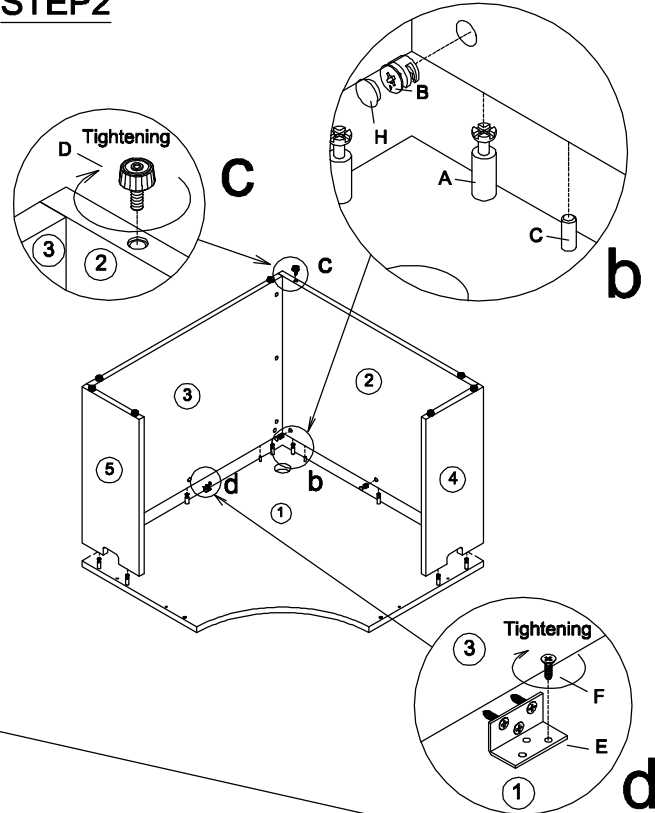
FUNCTION OF CAM



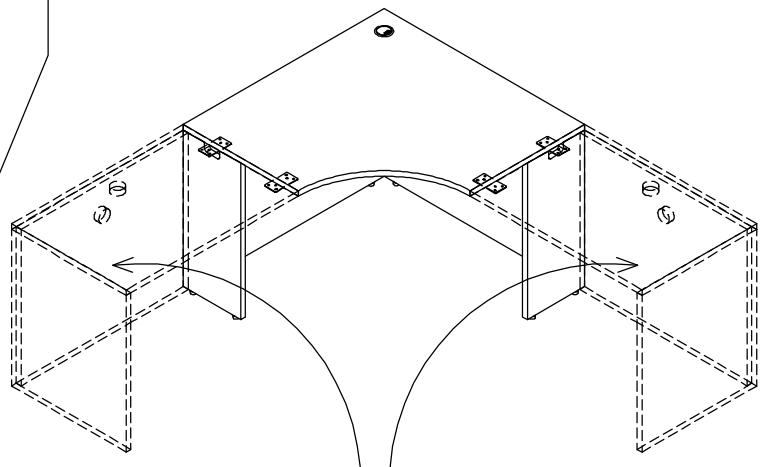
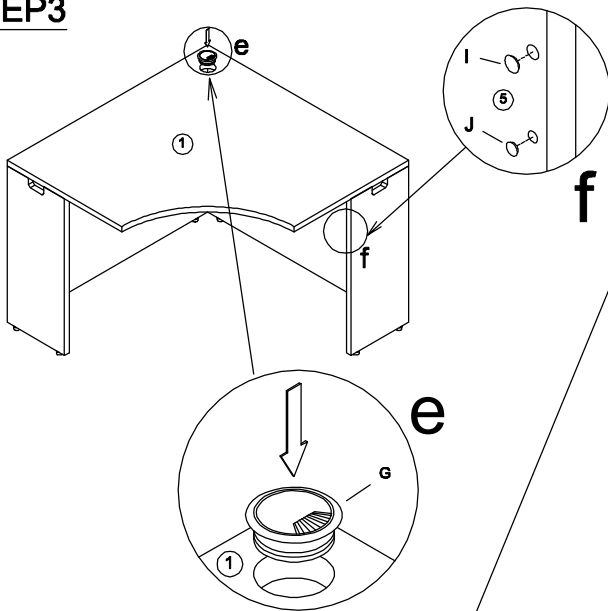
**1/4 RIGHT
TURN FOR
LOCKING**

**MAKE SURE THE ARROW IS POINTING UPWARDS
BEFORE INSERTING INTO THE PANEL'S HOLE.**

STEP2



STEP3



RETURN-REVERSIBLE

IMPORTANT NOTE:

- It is advisable to assemble unit on a carpet to avoid scratch.
- Check to be sure that you have all parts and hardware.
- Don't tighten all screws/bolts until all completely assembled.
- It is recommended to require 2 persons to complete the assembling.

*****Not For Freestanding Application**