












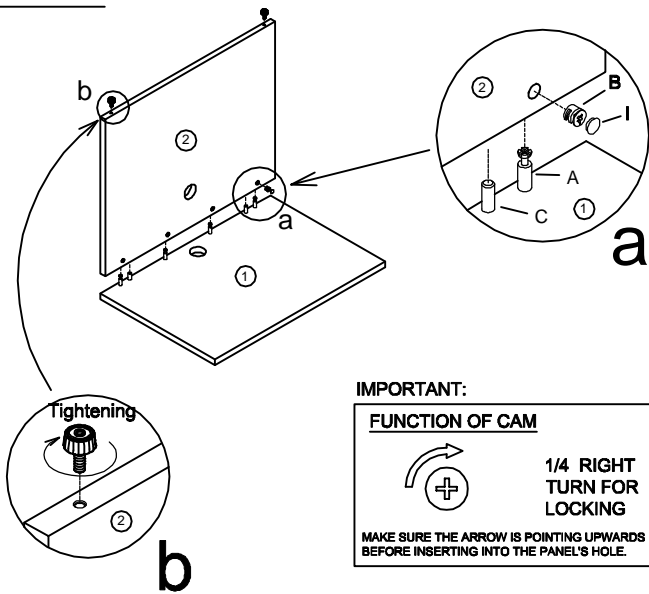
Assembly Instructions MODEL NO.:

SL4824FB, SL4224FB, SL3624FB, SL3024FB
BRIDGE

LO2/02-09

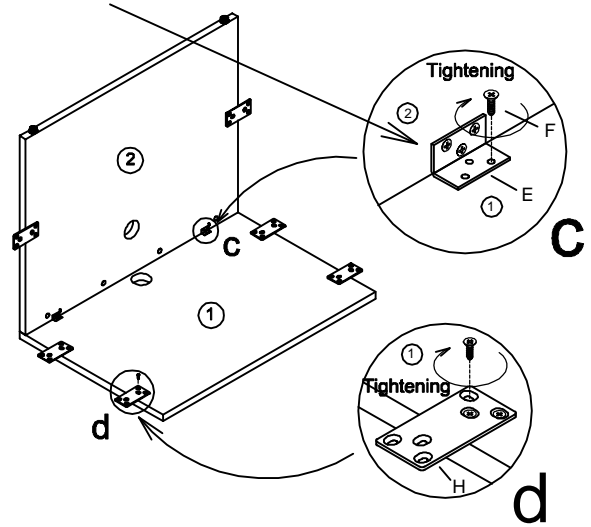
CONC10	CONC11	DOWEL	GLIDE	TUN013LB	TUN018SC	TUN015BG	TUN0191B	PLASTIC CAP
A  Cam Lock Pin 4Pcs+1Pcs	B  Cam Lock 4Pcs+1Pcs	C  Dowel 2Pcs+1Pcs	D  Glide 2Pcs	E  L-Bracket 2Pcs	F  Screw #4*5/8" 48Pcs+5Pcs	G  Grommet 2Pcs	H  Flat Bracket 6Pcs	I  DEEP CAMLOCK CAP 4Pcs+1Pcs

STEP1

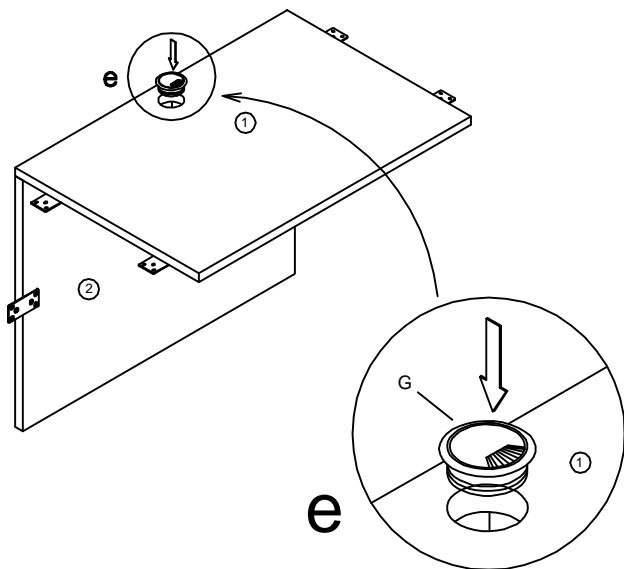


STEP2

IMPORTANT:
IF INSTALLING PEDESTAL;
BRACKETS ON END NOT REQUIRED.



STEP3



COMPLETED ASSEMBLY

IMPORTANT NOTE:

- It is advisable to assemble unit on a carpet to avoid scratch.
- Check to be sure that you have all parts and hardware.
- Don't tighten all screws/bolts until all completely assembled.
- It is recommended to require 2 persons to complete the assembling.