


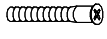






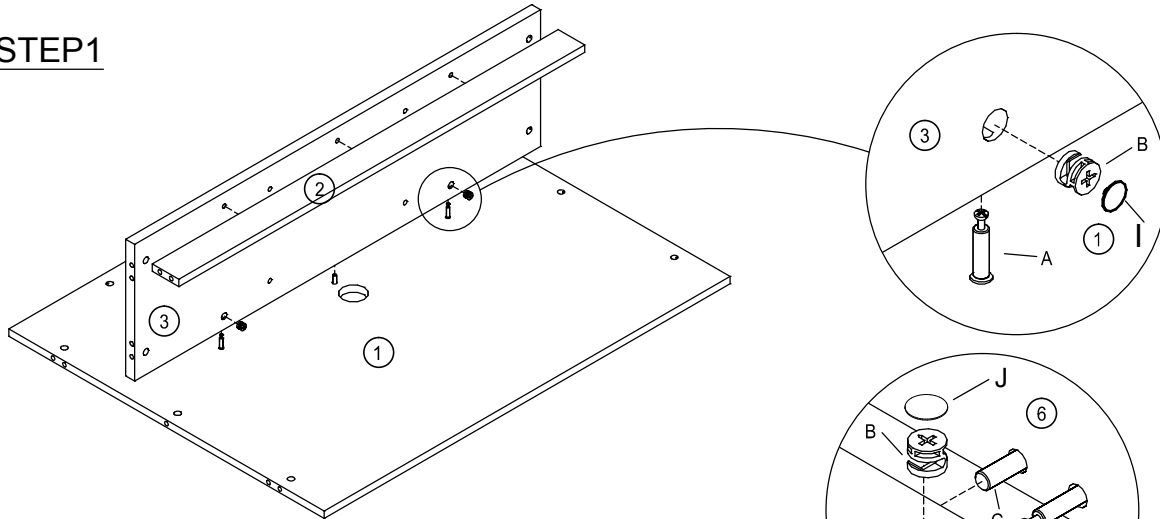


Open Hutch

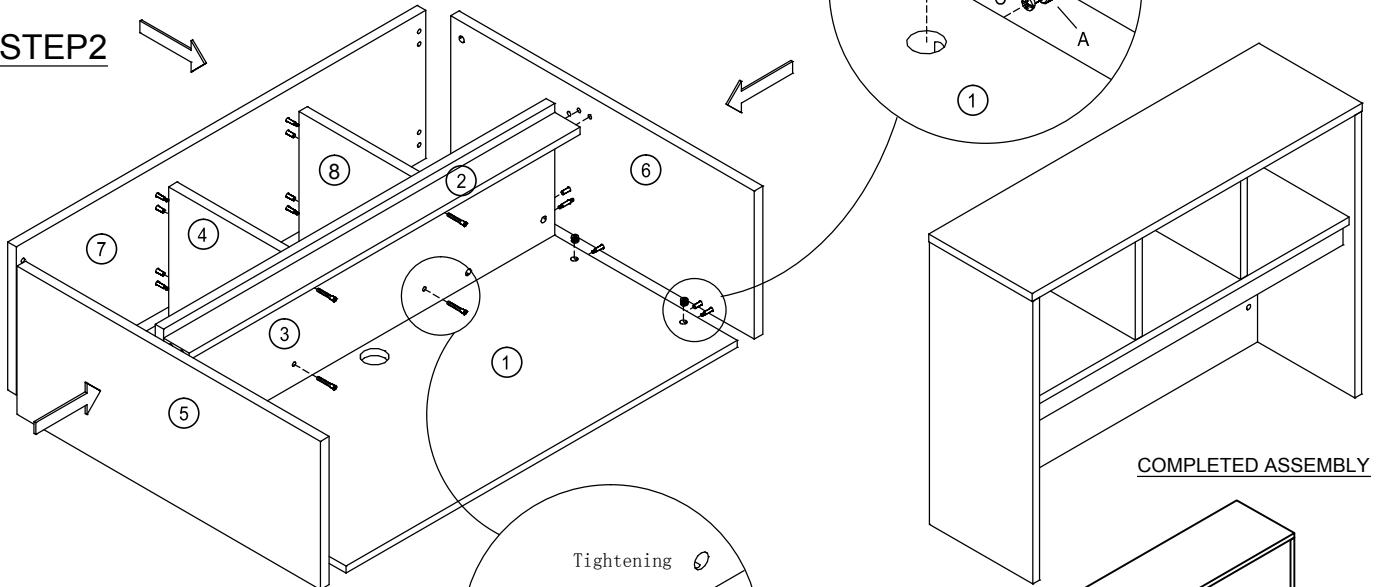
LO2/08-22

A  Cam Lock Pin 24+2Pcs	B  Cam Lock 24+2Pcs	C  Dowel 23+2Pcs	D  JCBC W Screw M7*2" 4Pcs	E  Grommet 1Pcs	F  Screw #4*16 12+4Pcs	G  Flat Bracket 2Pcs	H  ADHESIVE STRIP 2Pcs	I  Deep Camlock cap 14+2Pcs	J  Camlock cap 10+2Pcs
---	--	---	--	--	---	---	---	--	---

STEP 1



STEP 2



COMPLETED ASSEMBLY

IMPORTANT:

FUNCTION OF CAM



1/4 RIGHT
TURN FOR
LOCKING

MAKE SURE THE ARROW IS POINTING UPWARDS
BEFORE INSERTING INTO THE PANEL'S HOLE.

Tightening

3

CAUTION: LOCATE D SCREW
DO NOT TIGHTEN UNTIL TOP
⑦ INSTALLED

IMPORTANT NOTE:

- It is advisable to assemble unit on a carpet to avoid scratch.
- Check to be sure that you have all parts and hardware.
- Don't tighten all screws/bolts until all completely assembled.
- It is recommended to require 2 persons to complete the assembling.

