

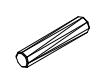





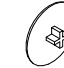

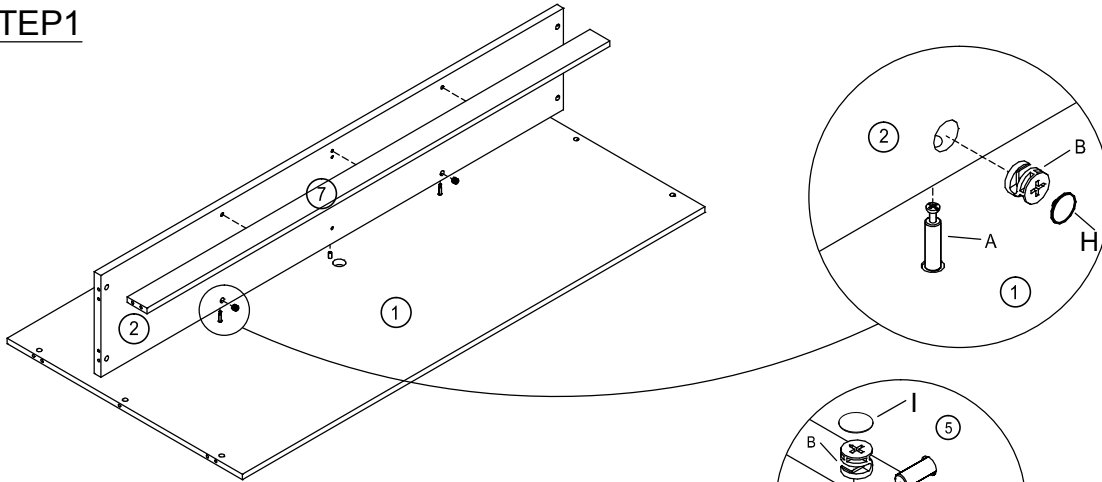
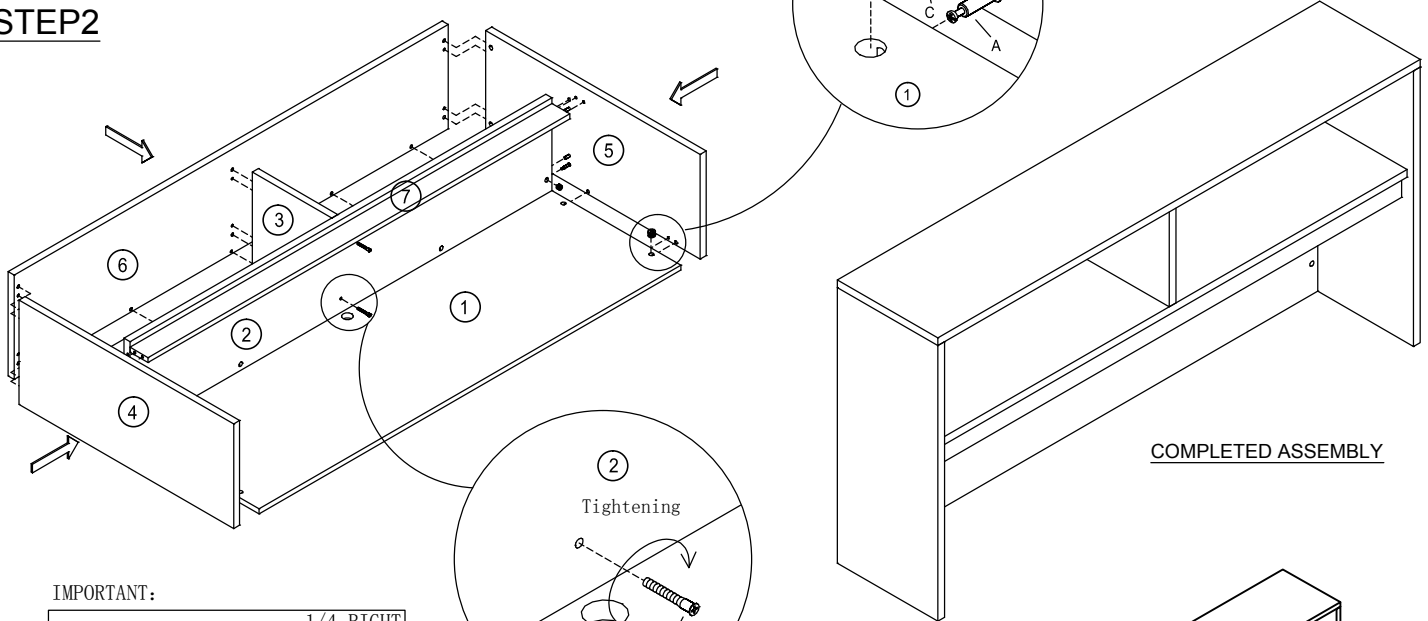


<b>A</b>  Cam Lock Pin 24+2Pcs	<b>B</b>  Cam Lock 24+2Pcs	<b>C</b>  Dowel 20+2Pcs	<b>D</b>  Grommet 1Pcs	<b>E</b>  JCBC W Screw M7*2" 2Pcs	<b>F</b>  Screw #4*16 12+4Pcs	<b>G</b>  Flat Bracket 2Pcs	<b>H</b>  Deep Camlock cap 12+2Pcs	<b>I</b>  Camlock cap 12+2Pcs	<b>J</b>  ADHESIVE STRIP 2Pcs
---	--	---	--	--	---	---	--	---	---

**STEP1**



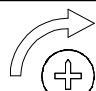
**STEP2**



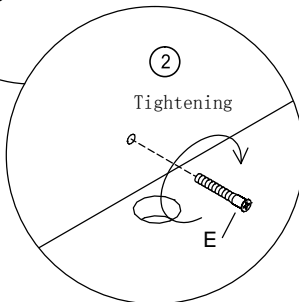
**COMPLETED ASSEMBLY**

**IMPORTANT:**

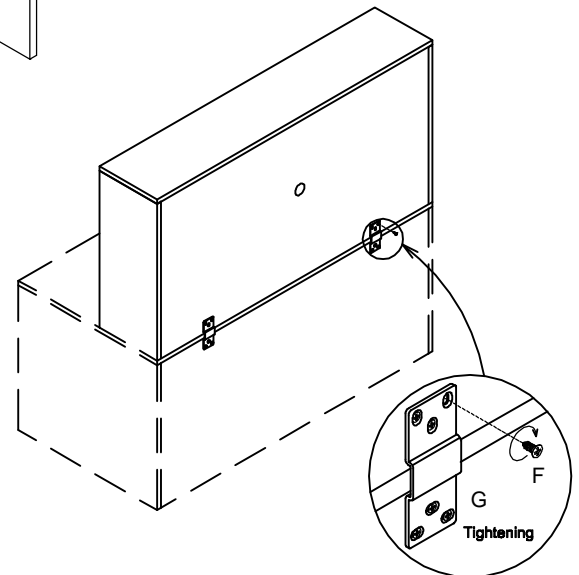
**FUNCTION OF CAM** 1/4 RIGHT TURN FOR LOCKING



MAKE SURE THE ARROW IS POINTING UPWARDS BEFORE INSERTING INTO THE PANEL'S HOLE.



**CAUTION: LOCATE E SCREW DO NOT TIGHTEN UNTIL TOP ⑥ INSTALLED**



**IMPORTANT NOTE:**

- It is advisable to assemble units on a carpet to avoid scratching the piece.
- Check to be sure you have all the parts and hardware.
- Don't tighten all screws/bolts until the item is completely assembled.
- Assembly requires two people.