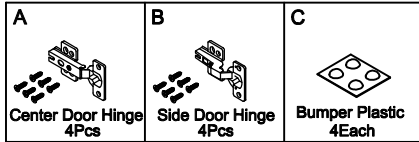


Silver Aluminum Glass Door

LO2/08-22

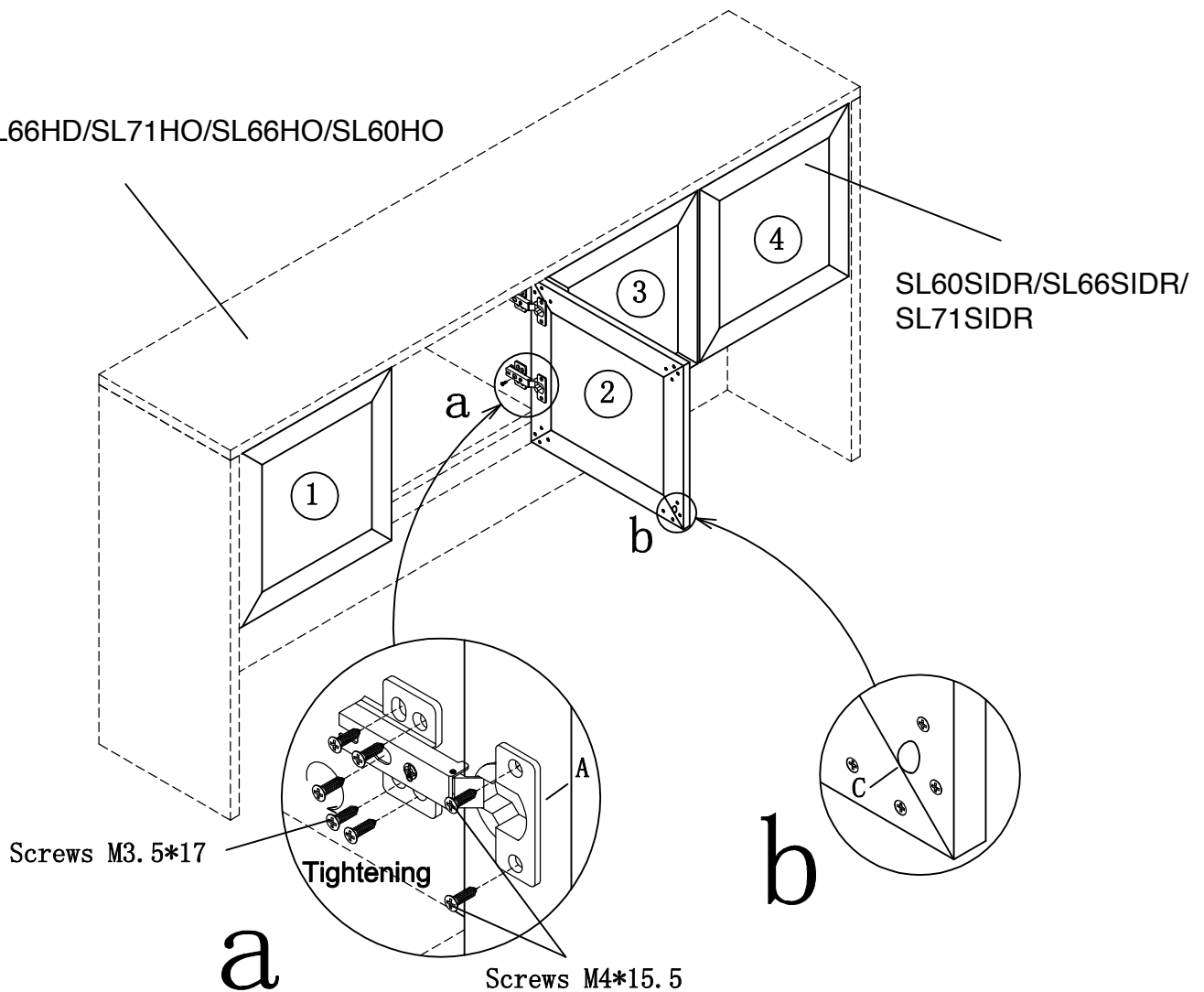


NOTE:

M4*15.5 screws are used for attaching hinge to aluminum frame
 M3.5*17 screws are used for attaching hinge to cabinet

STEP1

SL71HD/SL66HD/SL71HO/SL66HO/SL60HO



IMPORTANT NOTE:

- It is advisable to assemble unit on a carpet to avoid scratch.
- Check to be sure that you have all parts and hardware.
- Don't tighten all screws/bolts until all completely assembled.
- It is recommended to require 2 persons to complete the assembling.