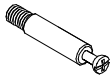

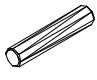
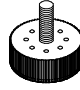
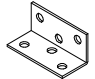
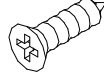


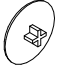
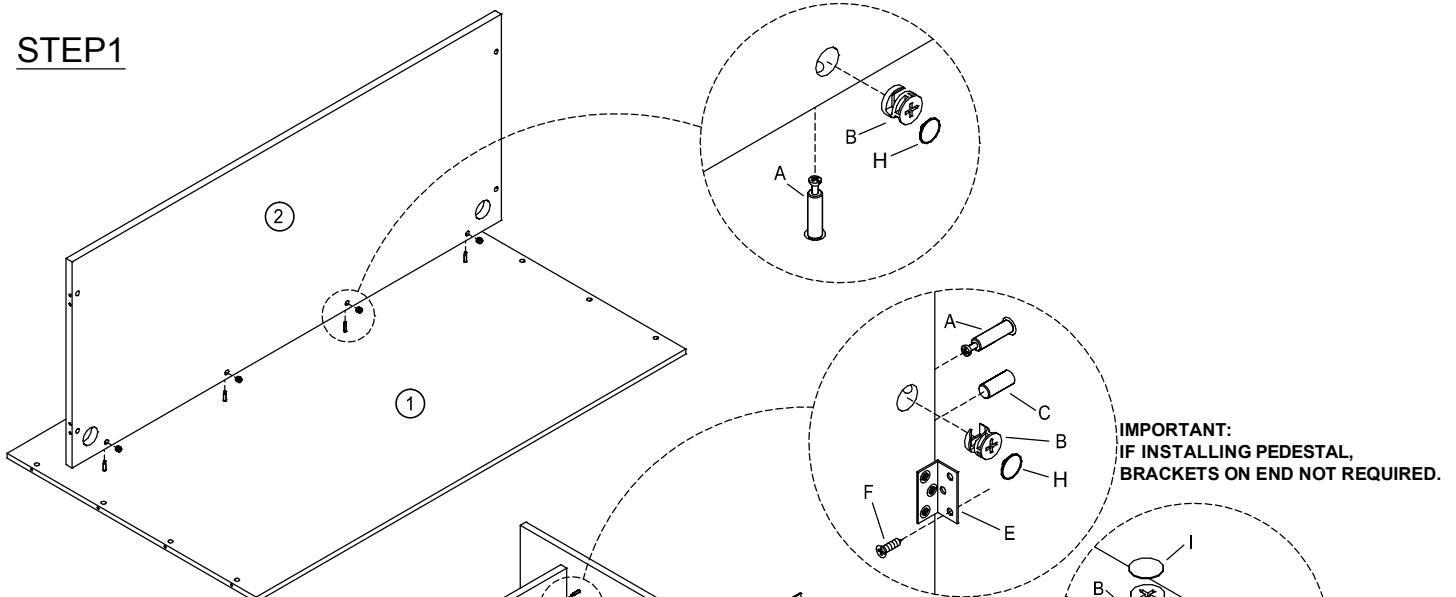


Reception Desk Shell - No Transaction Top

LO2/08-22

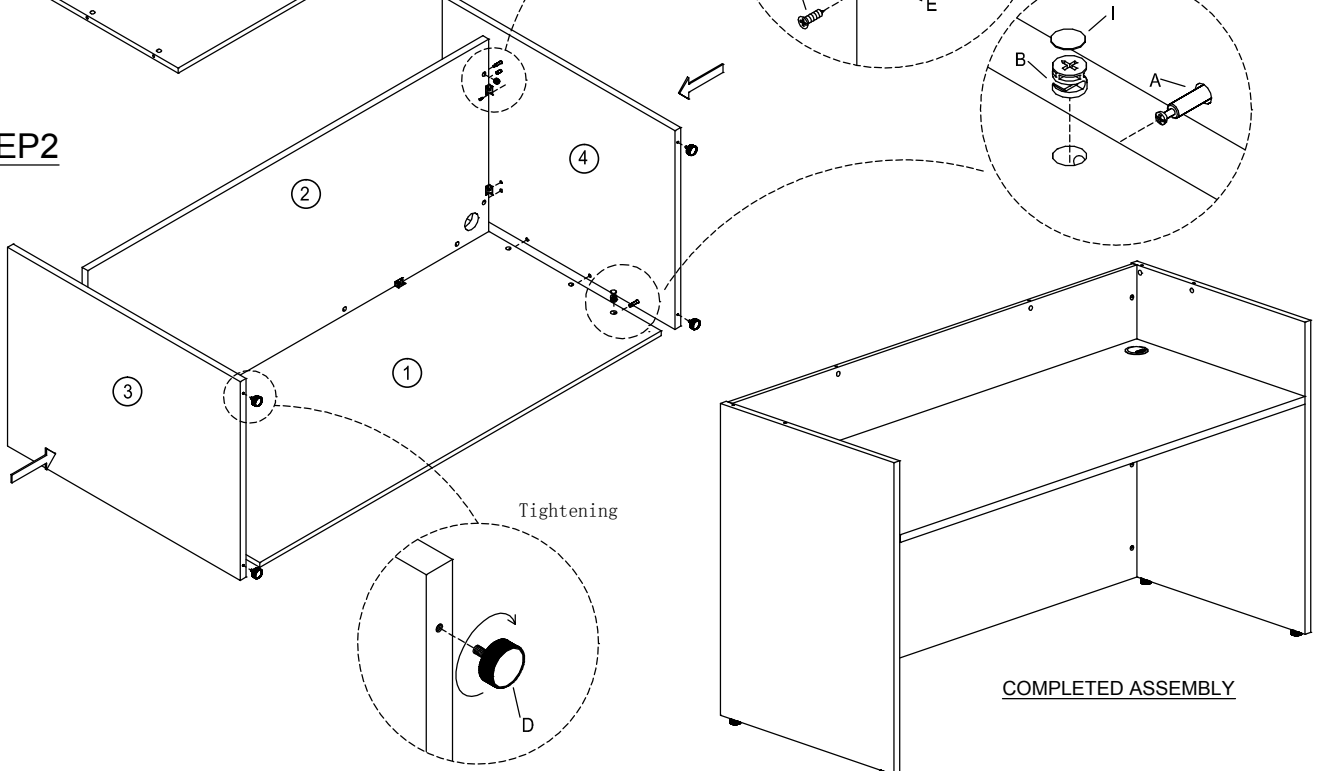
<p>A</p>  <p>Cam Lock Pin 16+2Pcs</p>	<p>B</p>  <p>Cam Lock 16+2Pcs</p>	<p>C</p>  <p>Dowel 4+2Pcs</p>	<p>D</p>  <p>Glide 4Pcs</p>	<p>E</p>  <p>L-Bracket 6Pcs</p>	<p>F</p>  <p>Screw #4*16 36+5Pcs</p>	<p>G</p>  <p>60mm black Grommet 2Pcs</p>	<p>H</p>  <p>Deep Camlock cap 12+4Pcs</p>	<p>I</p>  <p>Camlock cap 10+4Pcs</p>
--	---	---	---	---	---	--	---	--

STEP1



IMPORTANT:
IF INSTALLING PEDESTAL,
BRACKETS ON END NOT REQUIRED.

STEP2



COMPLETED ASSEMBLY

IMPORTANT NOTE:

- It is advisable to assemble unit on a carpet to avoid scratch.
- Check to be sure that you have all parts and hardware.
- Don't tighten all screws/bolts until all completely assembled.
- It is recommended to require 2 persons to complete the assembling.
- If installing pedestal, brackets on end not required.

IMPORTANT:

FUNCTION OF CAM



1/4 RIGHT
TURN FOR
LOCKING

MAKE SURE THE ARROW IS POINTING UPWARDS
BEFORE INSERTING INTO THE PANEL'S HOLE.