











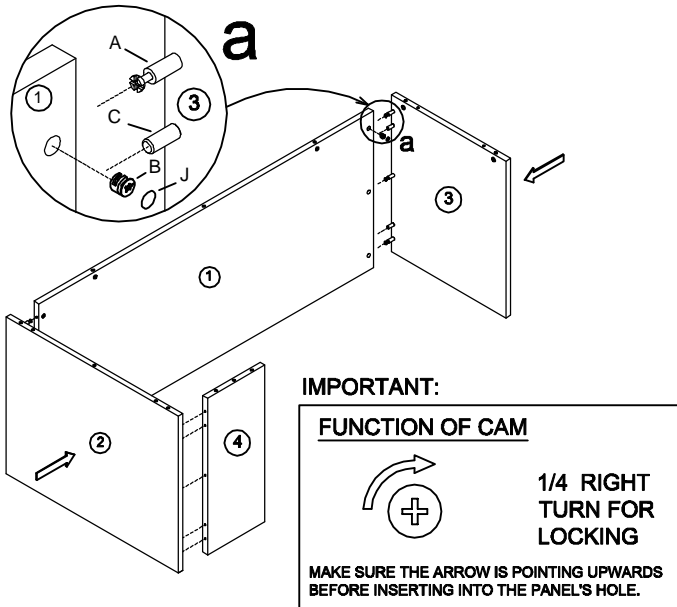


**Assembly Instructions**  
**MODEL NO.:SL7136CEL**  
**Credenza w/Corner ext. /Left**

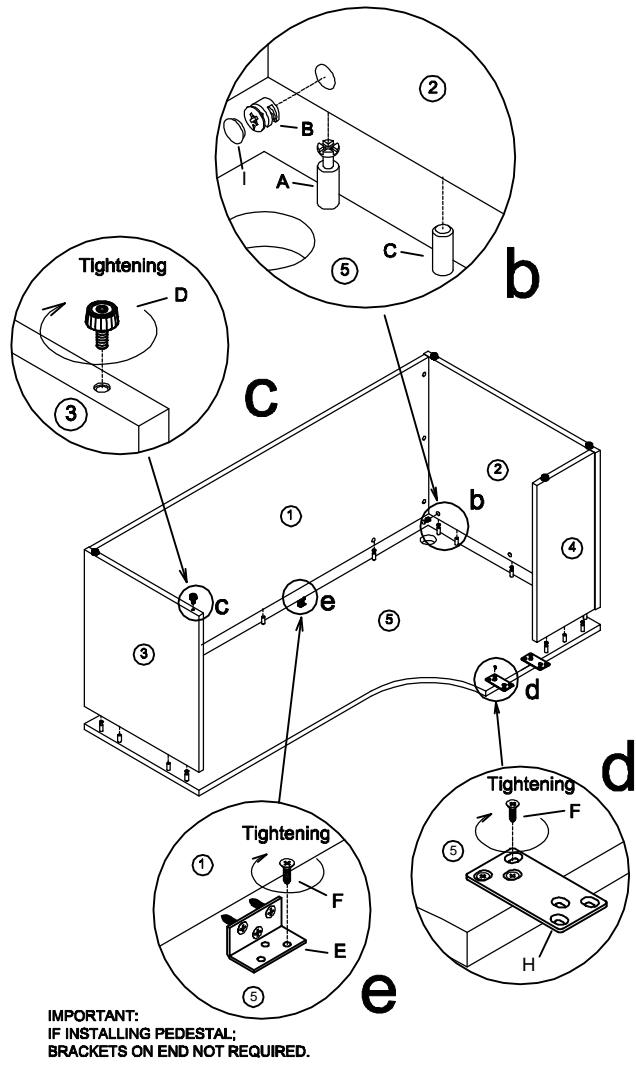
LO2/02-09

A	B	C	D	E	F	G	H	I	J
 Cam Lock Pin 18Pcs+2Pcs	 Cam Lock 18Pcs+2Pcs	 Dowel 12Pcs+2Pcs	 Glide 5Pcs	 L-Bracket 4Pcs	 Screw #4*5/8" 42Pcs+3Pcs	 Grommet 1Pcs	 Flat Bracket 2Pcs	 DEEP CAMLOCK CAP 10Pcs+1Pcs	 CAMLOCK CAP 8Pcs+1Pcs

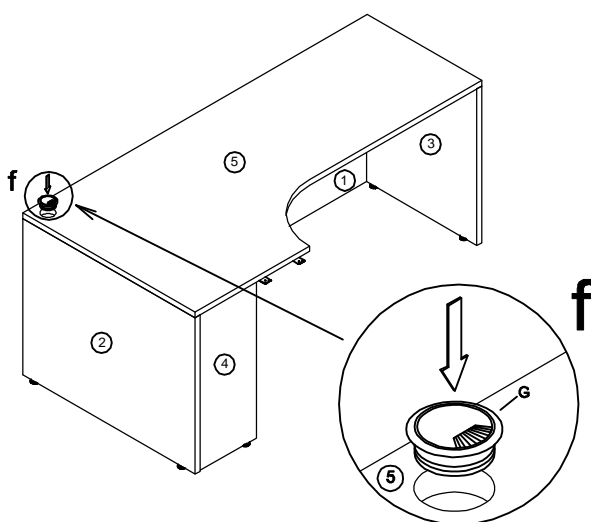
**STEP1**



**STEP2**



**STEP3**



**IMPORTANT NOTE:**

- It is advisable to assemble unit on a carpet to avoid scratch.
- Check to be sure that you have all parts and hardware.
- Don't tighten all screws/bolts until all completely assembled.
- It is recommended to require 2 persons to complete the assembling.