







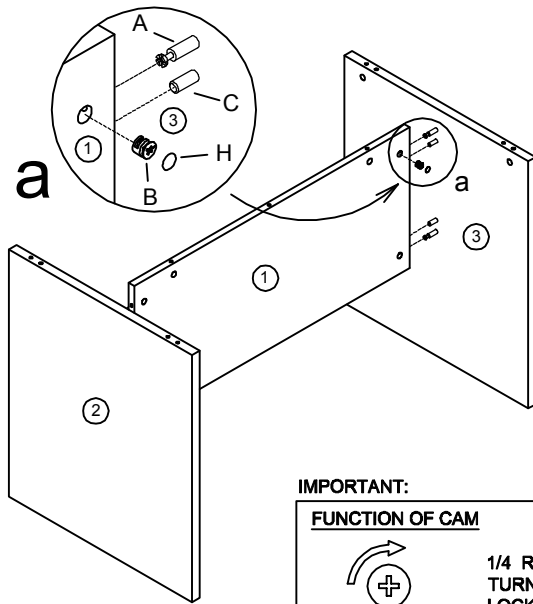


## Racetrack Conference Table


LO2/08-22

A	B	C	D	E	F	G	H
							
Cam Lock Pin 10Pcs+2Pcs	Cam Lock 10Pcs+2Pcs	Dowel 9Pcs+2Pcs	Glide 4Pcs	L-Bracket 5Pcs	Screw #4*1/2" 30Pcs+5Pcs	DEEP CAMLOCK CAP 4Pcs+1Pcs	CAMLOCK CAP 6Pcs+1Pcs

### STEP1

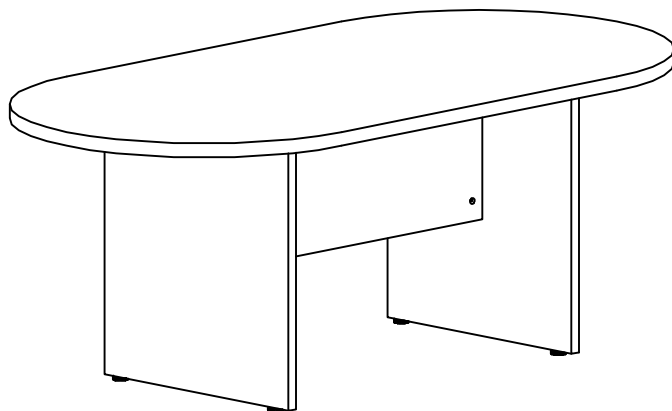


**IMPORTANT:**  
**FUNCTION OF CAM**



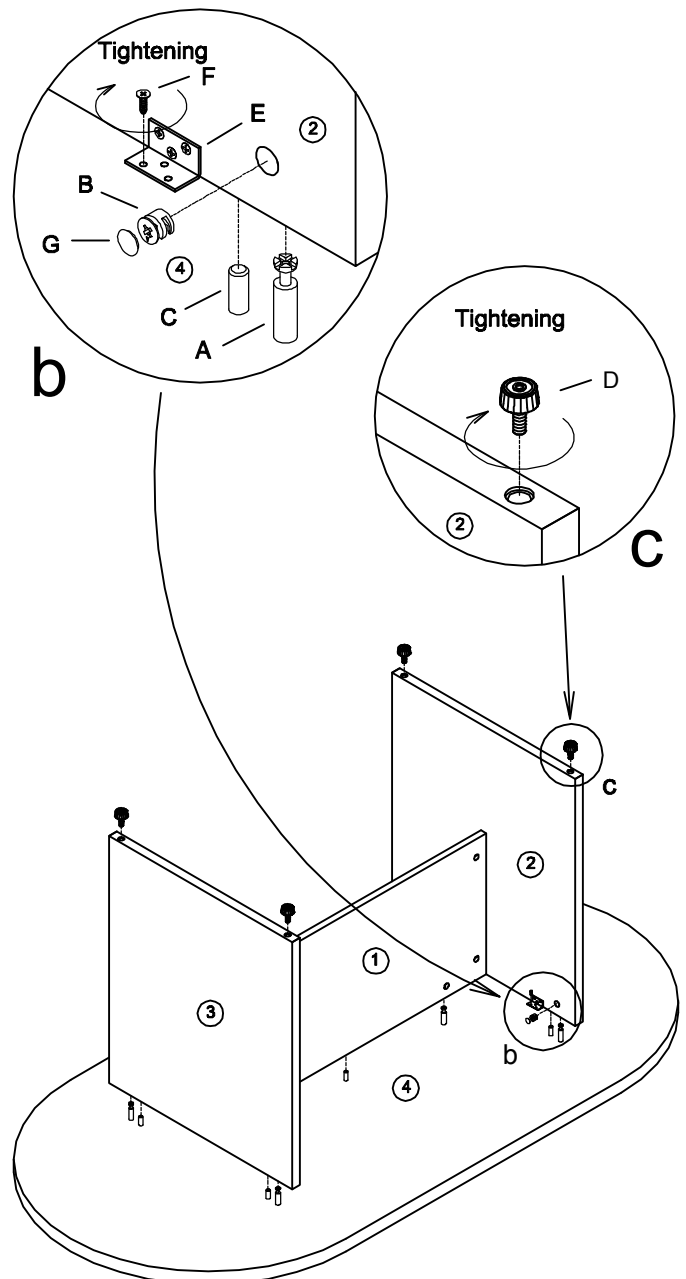
1/4 RIGHT  
TURN FOR  
LOCKING

MAKE SURE THE ARROW IS POINTING UPWARDS  
BEFORE INSERTING INTO THE PANEL'S HOLE.



COMPLETED ASSEMBLY

### STEP2



### IMPORTANT NOTE:

- It is advisable to assemble unit on a carpet to avoid scratch.
- Check to be sure that you have all parts and hardware.
- Don't tighten all screws/bolts until all completely assembled.
- It is recommended to require 2 persons to complete the assembling.