



Assembly Instructions

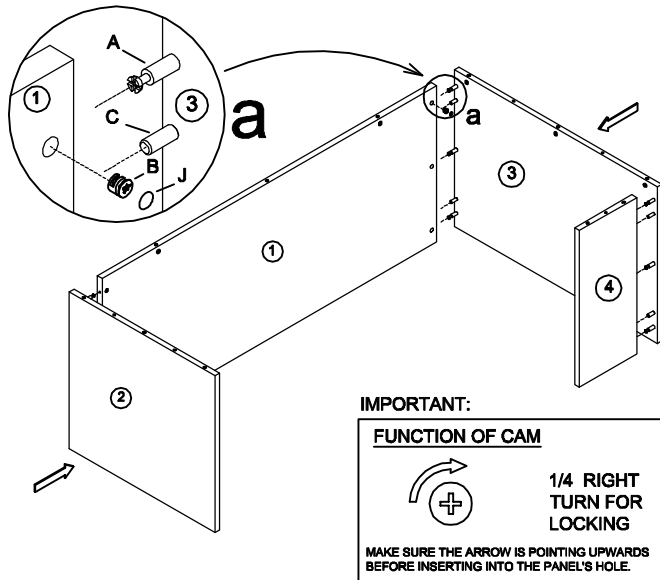
MODEL NO.:SL7148BCR

Bow front W/corner ext. Right

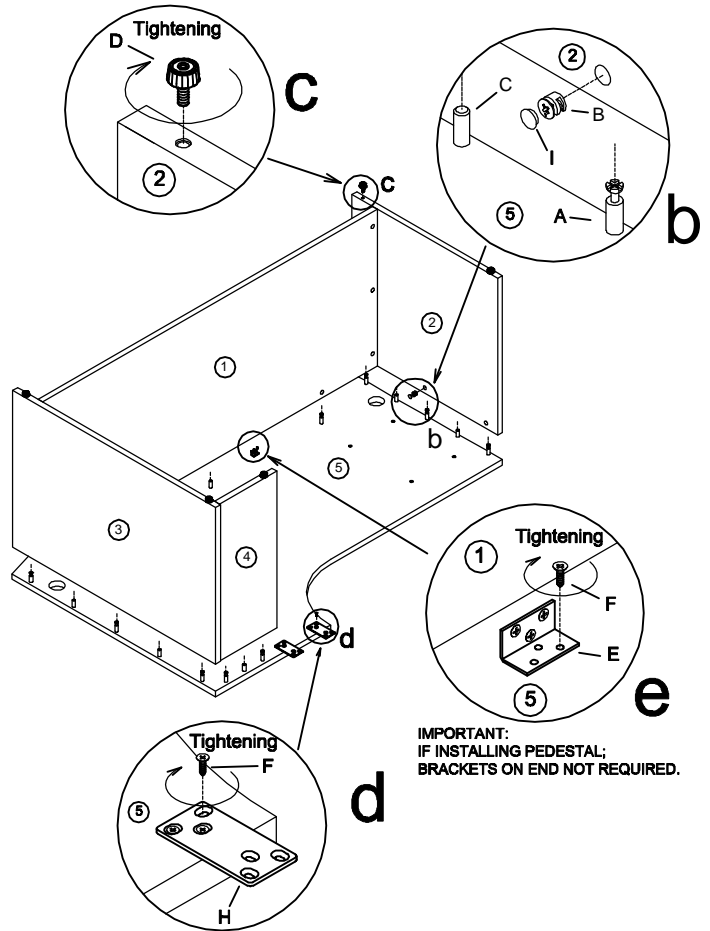
LO2/02-09

CONC10	CONC11	DOWEL	GLIDE	TUN013LB	TUN018SC	TUN015BG	TUN0191B	PLASTIC CAP	PLASTIC CAP
A Cam Lock Pin 19Pcs+3Pcs	B Cam Lock 19Pcs+3Pcs	C Dowel 12Pcs+2Pcs	D Glide 5Pcs	E L-Bracket 4Pcs	F Screw #4*5/8 42Pcs+3Pcs	G Grommet 2Pcs	H Flat Bracket 2Pcs	I DEEP CAMLOCK CAP 11Pcs+2Pcs	J CAMLOCK CAP 8Pcs+1Pcs

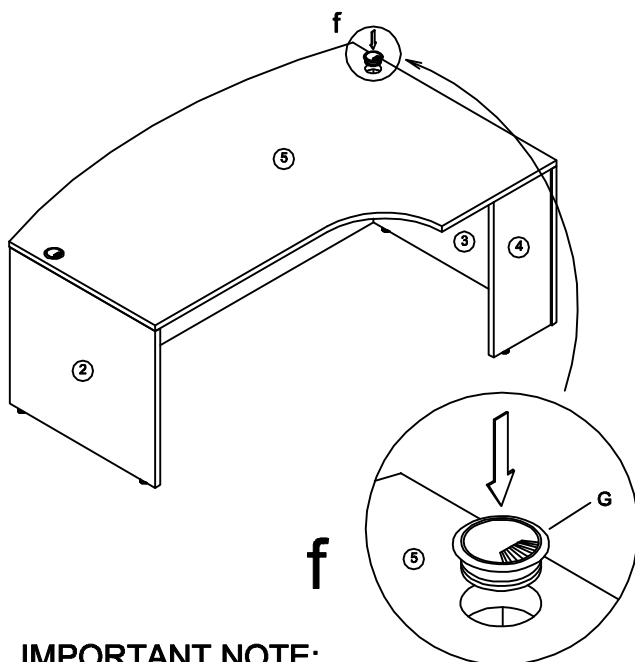
STEP1



STEP2



STEP3



IMPORTANT NOTE:

- It is advisable to assemble unit on a carpet to avoid scratch.
- Check to be sure that you have all parts and hardware.
- Don't tighten all screws/bolts until all completely assembled.
- It is recommended to require 2 persons to complete the assembling.