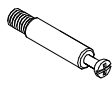


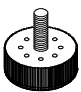
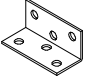
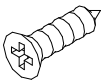

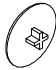

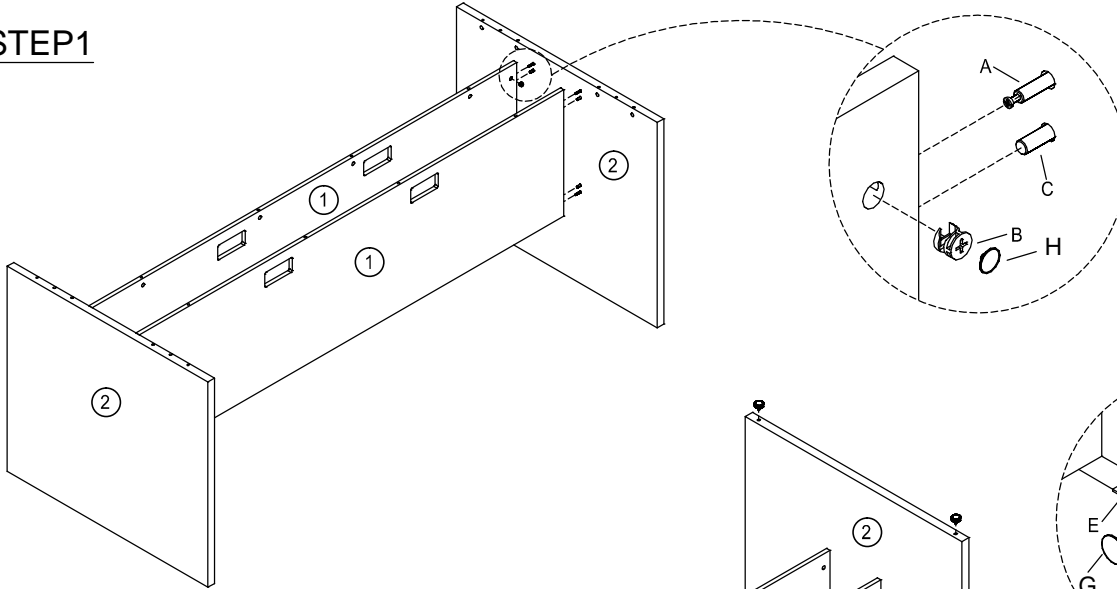
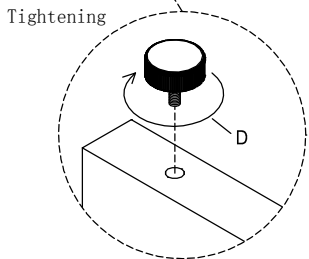
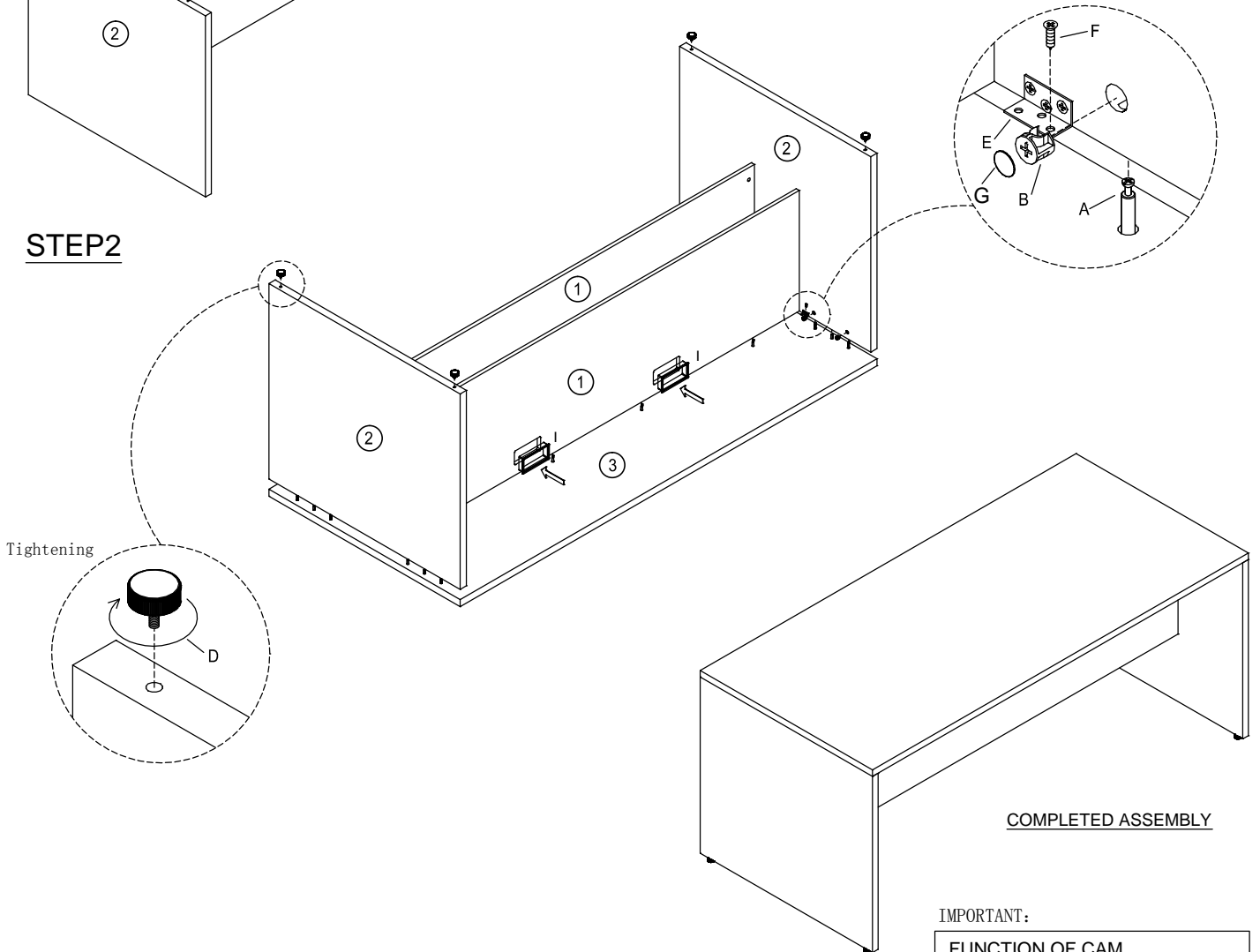


<b>A</b>  Cam Lock Pin 24+2Pcs	<b>B</b>  Cam Lock 24+2Pcs	<b>C</b>  Dowel 12+2Pcs	<b>D</b>  Glide 4Pcs	<b>E</b>  L-Bracket 8Pcs	<b>F</b>  Screw #4*5/8" 48+5Pcs	<b>G</b>  Deep Camlock cap 8+2Pcs	<b>H</b>  Camlock cap 16+2Pcs	<b>I</b>  Grommet 4Pcs
--	--	---	--	--	---	---	---	--

### STEP1



### STEP2



### IMPORTANT NOTE:

- It is advisable to assemble units on a carpet to avoid scratching the piece.
- Check to be sure you have all the parts and hardware.
- Don't tighten all screws/bolts until the item is completely assembled.
- Assembly requires two people.

COMPLETED ASSEMBLY

IMPORTANT:

#### FUNCTION OF CAM



1/4 RIGHT  
TURN FOR  
LOCKING

MAKE SURE THE ARROW IS POINTING UPWARDS BEFORE INSERTING INTO THE PANEL'S HOLE.