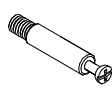

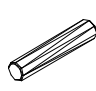
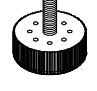
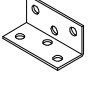
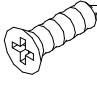

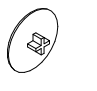

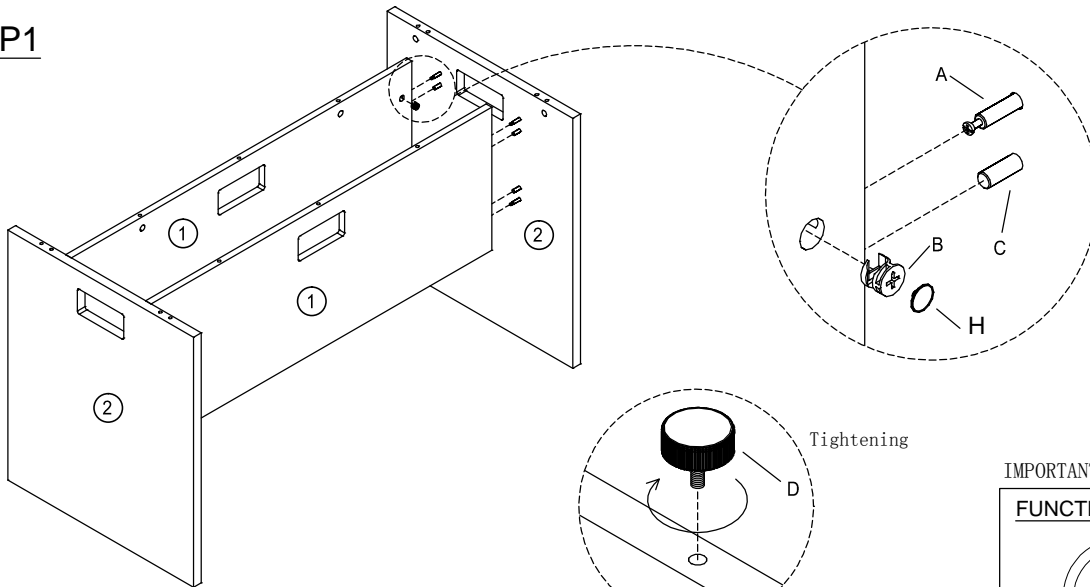


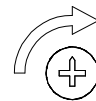
<p>A</p>  <p>Cam Lock Pin 16+2Pcs</p>	<p>B</p>  <p>Cam Lock 16+2Pcs</p>	<p>C</p>  <p>Dowel 14+2Pcs</p>	<p>D</p>  <p>Glide 4Pcs</p>	<p>E</p>  <p>L-Bracket 6Pcs</p>	<p>F</p>  <p>Screw #4*5/8" 36+5Pcs</p>	<p>G</p>  <p>Deep Camlock cap 4+2Pcs</p>	<p>H</p>  <p>Camlock cap 12+2Pcs</p>	<p>I</p>  <p>Grommet 4Pcs</p>
---	---	--	---	---	---	--	--	---

STEP1



IMPORTANT:

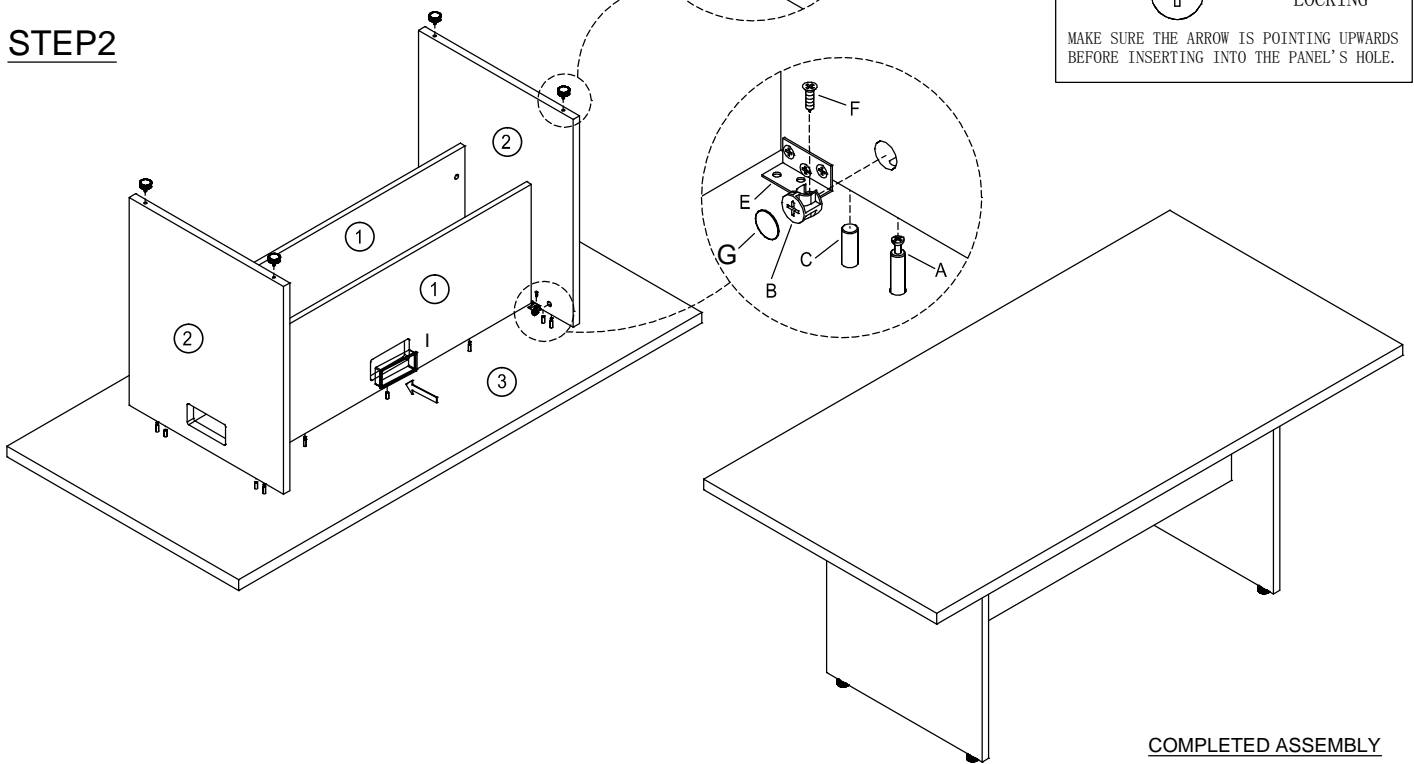
FUNCTION OF CAM



1/4 RIGHT
TURN FOR
LOCKING

MAKE SURE THE ARROW IS POINTING UPWARDS
BEFORE INSERTING INTO THE PANEL'S HOLE.

STEP2



COMPLETED ASSEMBLY

IMPORTANT NOTE:

- It is advisable to assemble units on a carpet to avoid scratching the piece.
- Check to be sure you have all the parts and hardware.
- Don't tighten all screws/bolts until the item is completely assembled.
- Assembly requires two people.