

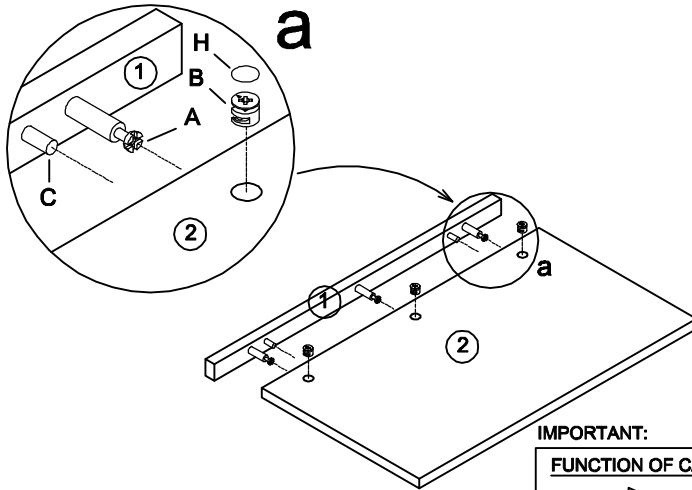


# Assembly Instructions MODEL NO.:SLKB KEYBOARD TRAY

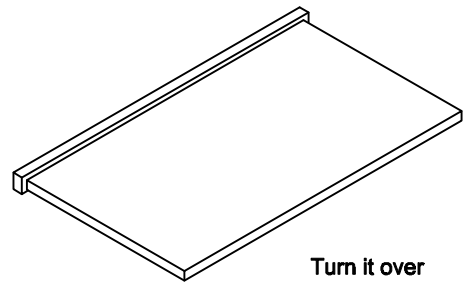
LO2/02-09

CONC10	CONC11	DOWEL	SLIDES	SLIDES	SCREW	SCREW	PLASTIC CAP
A	B	C	D	E	F	G	H
Cam Lock Pin 3Pcs	Cam Lock 3Pcs	Dowel 2Pcs	Left Slide 1Set	Right Slide 1Set	Screw #4*14 6Pcs	Screw #4*20 8Pcs	CAMLOCK CAP 3Pcs

## STEP1



## STEP2

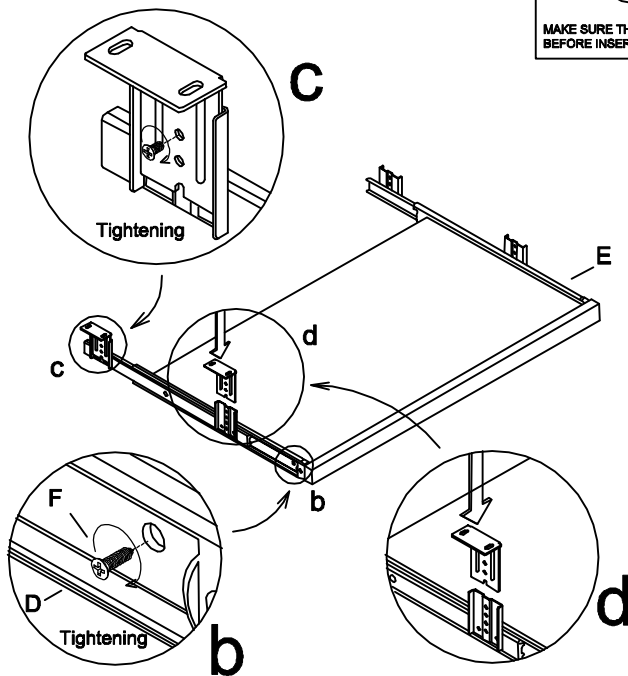


**IMPORTANT:**  
**FUNCTION OF CAM**

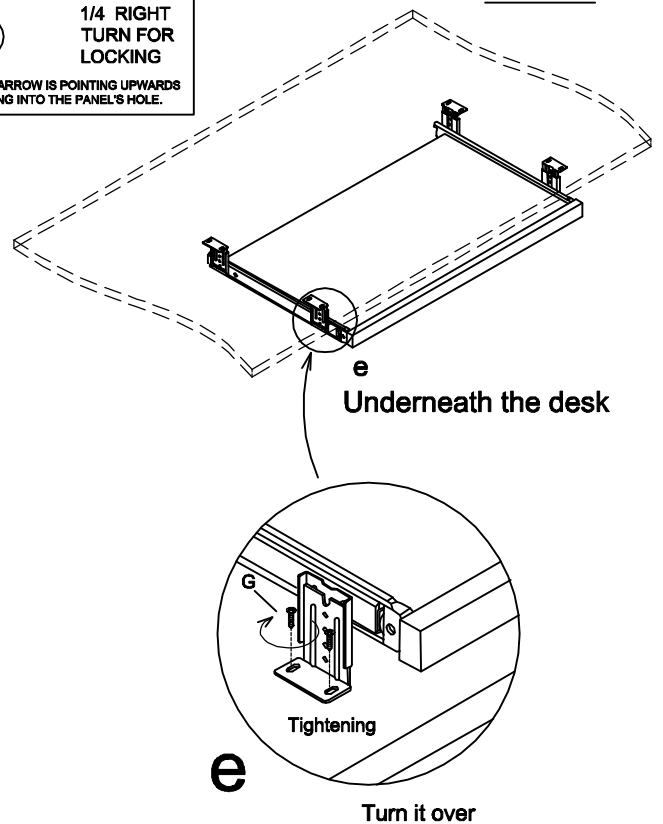
1/4 RIGHT  
TURN FOR  
LOCKING

MAKE SURE THE ARROW IS POINTING UPWARDS  
BEFORE INSERTING INTO THE PANEL'S HOLE.

## STEP3



## STEP4



### IMPORTANT NOTE:

- It is advisable to assemble unit on a carpet to avoid scratch.
- Check to be sure that you have all parts and hardware.
- Don't tighten all screws/bolts until all completely assembled.
- It is recommended to require 2 persons to complete the assembling.